



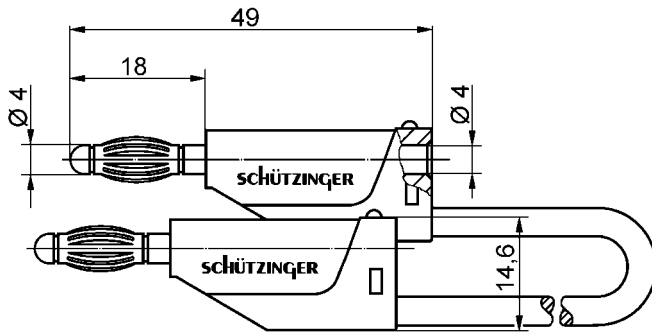
### Measuring lead

- with axial socket
- 2 lamella-basket plugs welded on highly flexible PVC lead with double insulation
- sleeves marked with the wire square-section

**order no. MFK 15 / 1 / ..(length) / ..(colour)**

- lead 1 mm<sup>2</sup>
- contact parts PVC double insulated **nickel-plated**
- sleeves PE (Hostalen)

colours: see table



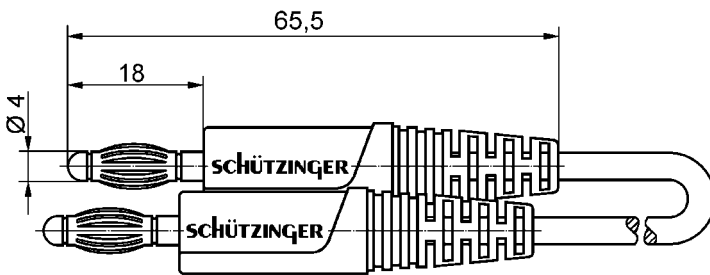
### Measuring lead

- 2 lamella-basket plugs soldered on PVC-double-insulated highly flexible lead

**order no. MFK 09 / 2,5 / ..(length) / ..(colour)**

- lead 2.5 mm<sup>2</sup>
- contact parts PVC double insulated **nickel-plated**
- sleeve TPE (Evoprene)

colours: see table



General information			Technical data				
order no.	length	colours	leads	transition resistance	rated voltage	rated current	operating temperature
<b>MFK 15 / 1 / ..(length) / ..(colour)</b> contact parts nickel-plated	25 cm	black,					sleeve -30 °C ... + 110 °C PVC-insulated lead -10 °C ... + 80 °C
	50 cm	red, blue	PVC	5 mΩ	30 V <sub>AC</sub>	16 A	- 10 °C ... + 80 °C
	100 cm	yellow, green,	1 mm <sup>2</sup>	10 mΩ	60 V <sub>DC</sub>		
	150 cm	green-yellow		20 mΩ			
	200 cm			30 mΩ			
			40 mΩ				
<b>MFK 09 / 2,5 / ..(length) / ..(colour)</b> contact parts nickel-plated	100 cm	black red	PVC 2.5 mm <sup>2</sup>	18 mΩ	30 V <sub>AC</sub> 60 V <sub>DC</sub>	16 A	- 10 °C ... + 80 °C

Other lengths, colours, wire square-sections, platings and Silicon-cable on request