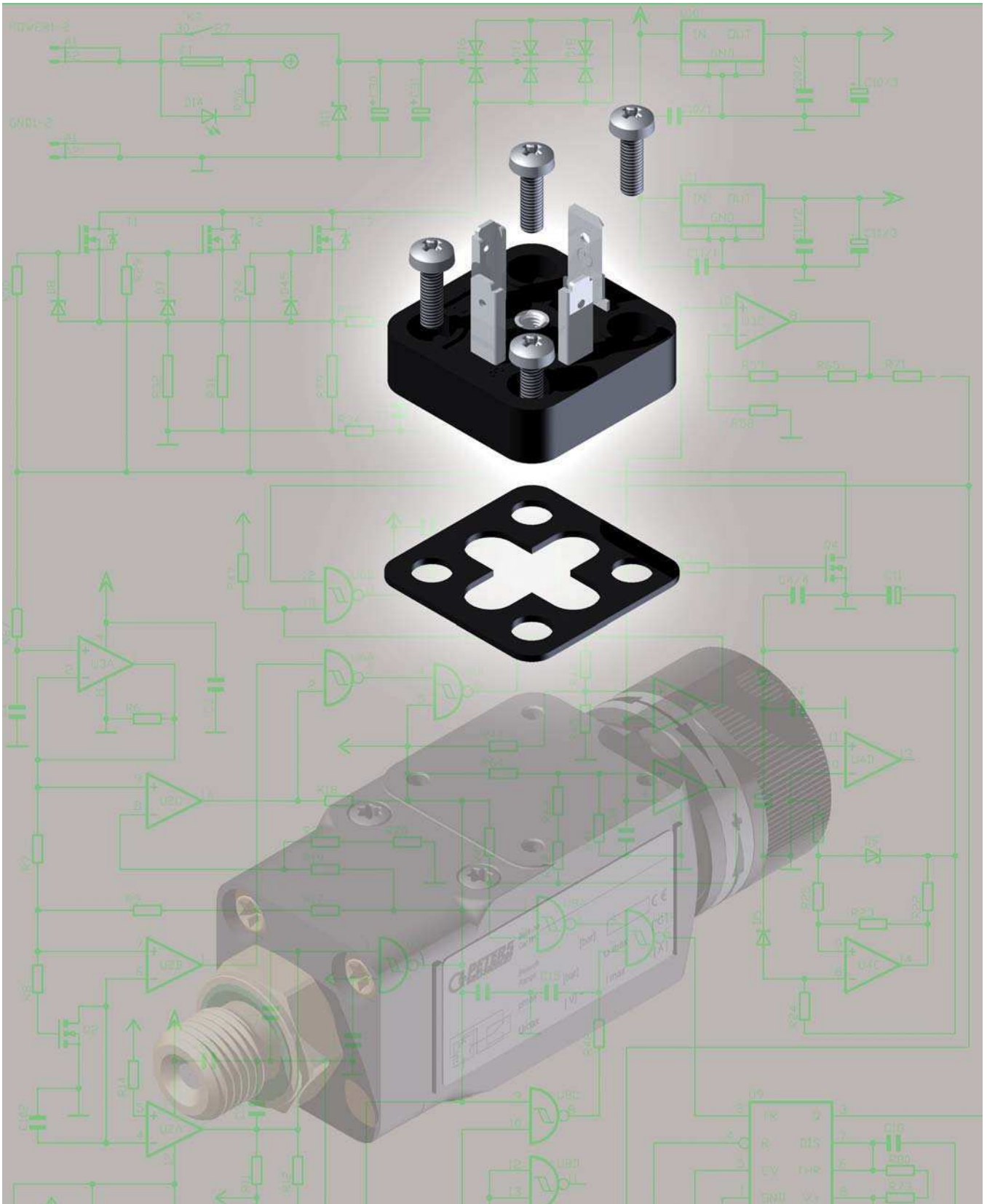




Stiftplatten DIN-EN

Bases DIN-EN



The information published has been compiled as carefully as possible. It is subject to alteration without notice in technical as well as in price related/commercial respect.



Stiftplatte A

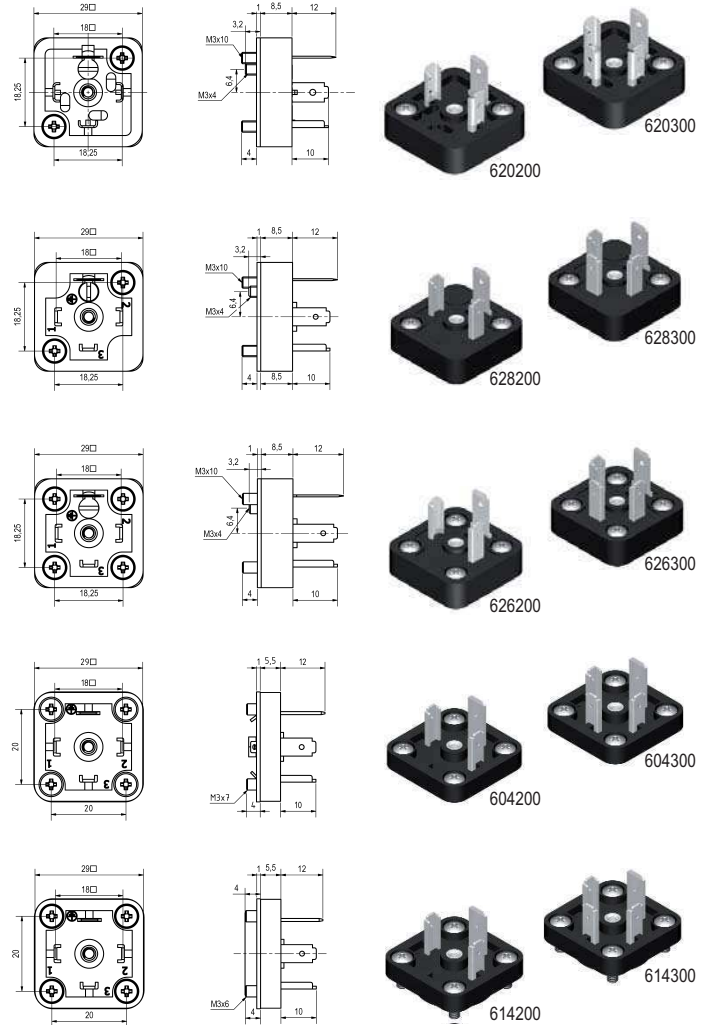
Bauform A · 3 oder 4-polig

DIN 43 650 / EN 175301 - 803

Base connector A

Form A · 3 or 4-poles

| | |
|---|---------------------|
| Kontaktabstand Contact spacing | 18 mm |
| Nennspannung Rated voltage | 250 VAC / 300 VDC |
| Dauerstrom Operating current | 10 A |
| Max. Strom Max. current | 16 A |
| Max. Leiterquerschnitt Max. wire gauge | 1,0 mm ² |
| Anschlußart Termination | Löten solder |
| Gehäusematerial Housing material | PA + 30 % GF |
| Kontaktmaterial Contact material | Cu Zn (Ag) |
| Temperaturbereich Temperature range | -40° C ... + 125° C |



| Befestigung Mounting | Artikel Nr. Part No. | Artikel Nr. Part No. | Besonderheit Special Feature |
|-------------------------|-------------------------|-------------------------|------------------------------------|
| | 2+PE | 3+PE | |
| M3x10 mm (2x) | 620200 | 620300 | M3x4 mm PE - Schraube / PE - screw |
| M3x10 mm (2x) | 628200 | 628300 | M3x4 mm PE - Schraube / PE - screw |
| M3x10 mm (4x) | 626200 | 626300 | M3x4 mm PE - Schraube / PE - screw |
| M3x7 mm (4x) | 604200 | 604300 | |
| M3x7 mm (4x) | 614200 | 614300 | 22 mm Rundkragen / round collar |

The information published has been compiled as carefully as possible. It is subject to alteration without notice in technical as well as in price related/commercial respect.

Technische Änderungen vorbehalten, Maßzeichnungen auf Anfrage / Specifications are subject to change without notice, scale drawings on request



Stiftplatte A

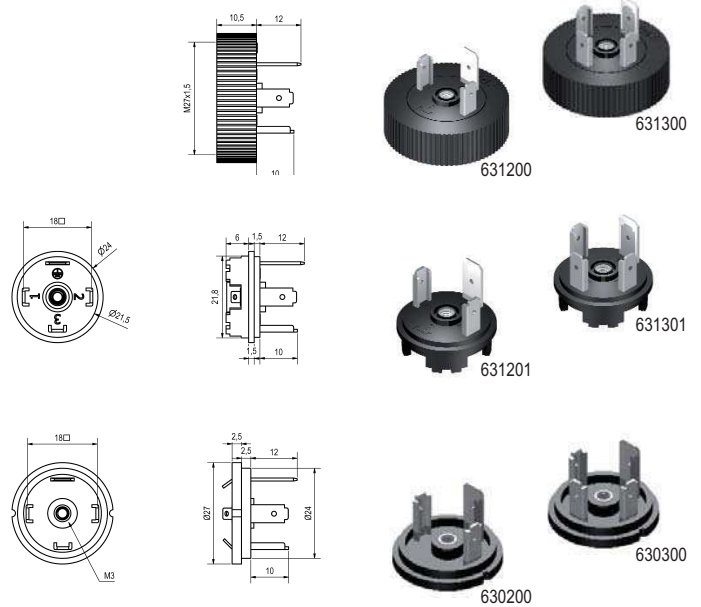
Bauform A · 3 oder 4-polig

DIN 43 650 / EN 175301 - 803

Base connector A

Form A · 3 or 4-poles

| | |
|---|---------------------|
| Kontaktabstand Contact spacing | 18 mm |
| Nennspannung Rated voltage | 250 VAC / 300 VDC |
| Dauerstrom Operating current | 10 A |
| Max. Strom Max. current | 16 A |
| Max. Leiterquerschnitt Max. wire gauge | 1,0 mm ² |
| Anschlußart Termination | Löten solder |
| Gehäusematerial Housing material | PA + 30 % GF |
| Kontaktmaterial Contact material | Cu Zn (Ag) |
| Temperaturbereich Temperature range | -40° C ... + 125° C |



| Befestigung Mounting | Artikel Nr. Part No. | Artikel Nr. Part No. | Besonderheit Special Feature |
|-------------------------|-------------------------|-------------------------|---|
| | 2+PE | 3+PE | |
| Ø 24,5/22 mm | 631200 | 631300 | M27 x 1.5 Überwurfmutter / locking |
| Ø 24,5/22 mm | 631201 | 631301 | ohne Überwurfmutter / without locking |
| Ø 27/24 mm | 630200 | 630300 | |

The information published has been compiled as carefully as possible. It is subject to alteration without notice in technical as well as in price related/commercial respect.

Technische Änderungen vorbehalten, Maßzeichnungen auf Anfrage / Specifications are subject to change without notice, scale drawings on request



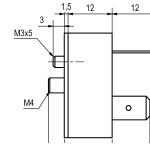
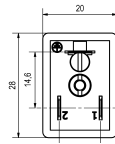
Stiftplatte B

Bauform B

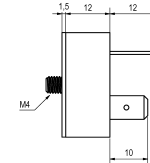
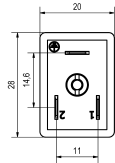
Base connector B

Form B

| | |
|---|---------------------|
| Kontaktabstand Contact spacing | 11 mm |
| Nennspannung Rated voltage | 250VAC / 300 VDC |
| Dauerstrom Operating current | 10 A |
| Max. Strom Max. current | 16 A |
| Max. Leiterquerschnitt Max. wire gauge | 1,0 mm ² |
| Anschlußart Termination | Löten solder |
| Gehäusematerial Housing material | PA + 30 % GF |
| Kontaktmaterial Contact material | Cu Zn (Ag) |
| Temperaturbereich Temperature range | -40° C ... + 125° C |



622200



622201

| Befestigung Mounting | Polzahl Contacts | Artikel Nr. Part No. | Besonderheit Special Feature |
|-------------------------|---------------------|-------------------------|---|
| M4 x 15,5 mm | 2 + PE | 622200 | M3 x 5 mm PE - Schraube / PE - screw |
| M4 x 15,5 mm | 2 + PE | 622201 | ohne PE - Schraube / without PE - screw |

The information published has been compiled as carefully as possible. It is subject to alteration without notice in technical as well as in price related/commercial respect.

Technische Änderungen vorbehalten, Maßzeichnungen auf Anfrage / Specifications are subject to change without notice, scale drawings on request



Stiftplatte C

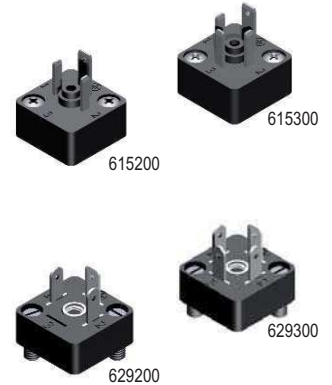
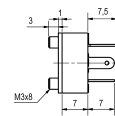
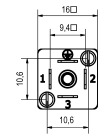
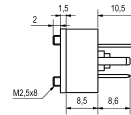
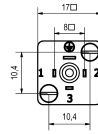
Bauform C

Industrial / DIN 43 650 / EN 175301 - 803

Base connector C

Form C

| | |
|---|--------------------------------------|
| Kontaktabstand Contact spacing | 8 mm (DIN/EN) 9,4 mm (Industrial) |
| Nennspannung Rated voltage | 250VAC / 300 VDC |
| Dauerstrom Operating current | 6 A |
| Max. Strom Max. current | 10 A |
| Max. Leiterquerschnitt Max. wire gauge | 0,75 mm ² |
| Anschlußart Termination | Löten solder |
| Gehäusematerial Housing material | PA + 30 % GF |
| Kontaktmaterial Contact material | Cu Zn (Ag) |
| Temperaturbereich Temperature range | -40° C ... + 125° C |



| Befestigung Mounting | Polzahl Contacts | Artikel Nr. Part No. | Artikel Nr. Part No. |
|-------------------------|---------------------|-------------------------|-------------------------|
| | | 8 mm (DIN/EN) | 9,4 mm (Industrial) |
| M2.5x8,5mm | 2+PE | 615200 | |
| M2.5x8,5mm | 3+PE | 615300 | |
| M3x8,5mm | 2+PE | | 629200 |
| M3x8,5mm | 3+PE | | 629300 |

The information published has been compiled as carefully as possible. It is subject to alteration without notice in technical as well as in price related/commercial respect.

Technische Änderungen vorbehalten, Maßzeichnungen auf Anfrage / Specifications are subject to change without notice, scale drawings on request