

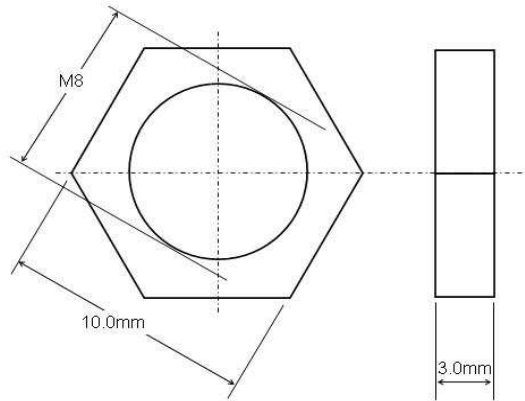
Part Number: ETM03466


Description:

Hex Lock Nut with M8 Thread

Materials:

Cu Zn/Ni (Brass Nickel plated)



General information			Technical data
order no.	length	colour	
ETM03466	N/A	N/A	Accessory for M8 appliance/socket connector