



**GSSNR 200 schwarz/black**  
**GDM-series:Type CEN 175301-803**  
**(DIN 43650):Appliance connector**



**Delivery informations**

Availability available  
Document created at 04.11.2008

**Product description**

Description appliance connector with central nut,  
version for molding or gasket

Type GSSNR 200 schwarz/black

Order No. 933 113-100

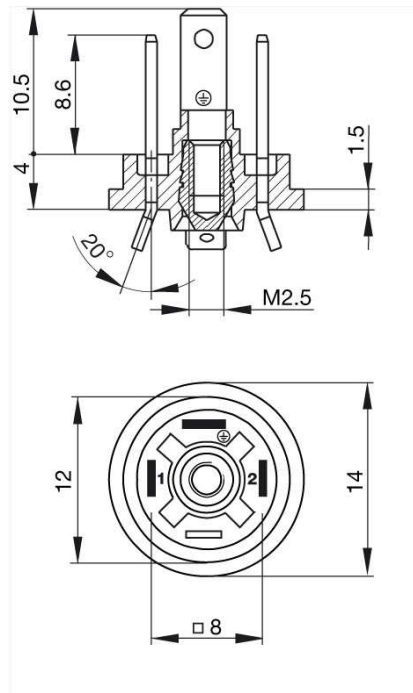
Number of contacts 2 + PE

Standard DIN EN 175 301-803-C

Housing Color black

Construction type C

**Drawing**



**Technical data**

Rated voltage AC/DC 250 V  
Rated current 6 A  
Contact resistance  $\leq 4$  mOhm  
Type of termination solder  
Mounting screw



Contact surface materia	
Contact bearer material	PA
Housing material	PA
<b>Environmental conditions</b>	
Protection class (IEC 60529)	IP 65
Pollution severity	3
Temperature range	-40 °C to +125 °C
<b>Inflammability class</b>	
Housing	94 HB
Contact bearer	94 V-2
<b>Approvals</b>	
UR	UR
VDE	VDE
SEV	SEV
CSA	CSA
<b>Packing unit</b>	
Packaging unit	200 pieces