

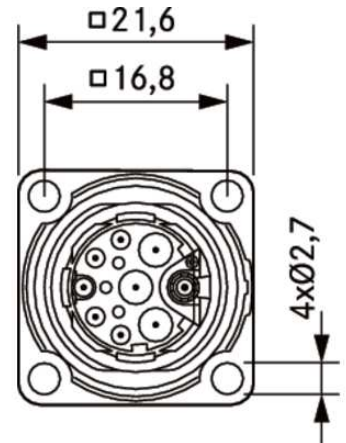
EPIC® POWER M17 A1

Circular connector for servo drives and power supply.

EPIC® M17 POWER panel-mount base

Info

high power transmission with small space requirements



Waterproof



Interference signals



Space requirement



Optimum strain relief



Mechanical resistance



Industrial machinery and plant engineering

Benefits

Version with fewer contacts for higher currents

Compact design: Lower space requirement

EMC safety

Application range

Servo drives and servo assemblies

Plant construction, machinery manufacturing

EPIC® POWER M17 A1**Technical Data**

Classification:	ETIM 5.0 Class-ID: EC002635 ETIM 5.0 Class-Description: Circular connector (industrial connector)
Rated voltage (V):	630V: 2mm and 1mm contacts 60V: 0.6mm contacts
Rated impulse voltage:	6KV: 2mm and 1mm contacts 1.5KV: 0.6mm contacts
Rated current in A:	3+PE: 20A, 5+PE/6+PE/7+PE:14A, 3+PE+5:14A/3.6A
Pollution degree:	3
Contacts:	Gold-plated brass
Number of contacts:	3+PE, 5+PE, 6+PE, 7+PE, 3+PE+5 Contacts:3+PE(2mm), 5+PE(1mm), 6+PE(1mm), 7+PE(1mm), 3+PE+5(1mm/0.6mm)
Cable connection:	Crimp: 3+PE: 0.5-2.5 mm ² , 5+PE/6+PE/7+PE: 0.06-1 mm ² , 3+P+5: 0.06-1/0.06-0.5 mm ²
Material:	Housing: Nickel-plated zinc die-cast, nickel-plated brass Insulating body: PA Seal: FPM
Protection rating:	IP 67
Plug cycles:	100
Temperature range:	-40°C to +125°C

Note

Photographs are not to scale and do not represent detailed images of the respective products.
Prices are net prices without VAT and surcharges. Sale to business customers only.

**EPIC® POWER M17 A1**

Article number	Article description	Fastening type	Pin configuration
Type M17 A1, front wall mounting			
44423075	EPIC® M17 socket	Ø 2.7 mm (4x)	3+PE (2mm contacts)
44423070	EPIC® M17 pin	Ø 2.7 mm (4x)	3+PE (2mm contacts)
44423076	EPIC® M17 socket	Ø 2.7 mm (4x)	5+PE (1mm contacts)
44423071	EPIC® M17 pin	Ø 2.7 mm (4x)	5+PE (1mm contacts)
44423077	EPIC® M17 socket	Ø 2.7 mm (4x)	6+PE (1mm contacts)
44423072	EPIC® M17 pin	Ø 2.7 mm (4x)	6+PE (1mm contacts)
44423078	EPIC® M17 socket	Ø 2.7 mm (4x)	7+PE (1mm contacts)
44423073	EPIC® M17 pin	Ø 2.7 mm (4x)	7+PE (1mm contacts)
44423079	EPIC® M17 socket	Ø 2.7 mm (4x)	3+PE+5 (1mm/0.6mm contacts)
44423074	EPIC® M17 pin	Ø 2.7 mm (4x)	3+PE+5 (1mm/0.6mm contacts)

Last Update (09.05.2017)

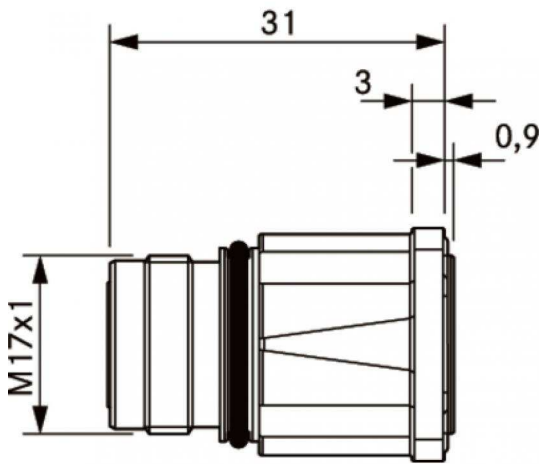
©2017 Lapp Group - Technical changes reserved

Product Management www.lappkabel.de

You can find the current technical data in the corresponding data sheet.

PN 0456 / 02_03_16

EPIC® POWER M17 A1



Last Update (09.05.2017)

©2017 Lapp Group - Technical changes reserved

Product Management www.lappkabel.de

You can find the current technical data in the corresponding data sheet.

PN 0456 / 02_03.16