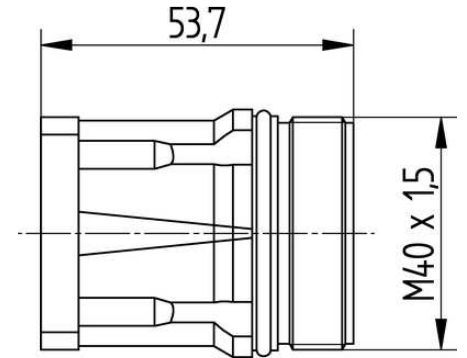
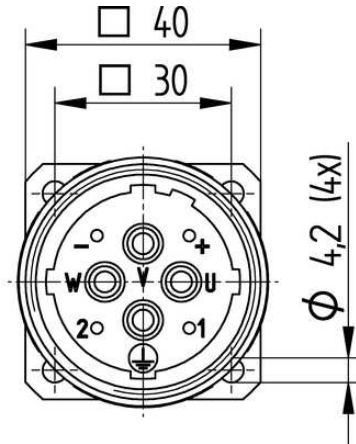


EPIC® POWER LS1.5 A1

Circular connector for servo drives and power supply.

EPIC® LS1.5 panel-mount base for male contacts



Waterproof



Interference signals



Robust



Optimum strain relief



Mechanical resistance



Wide clamping range



Industrial machinery and plant engineering

Benefits

more power for servo motors
 Vibration-proof robust design
 EMC version for cables with large cross-sections

Application range

Plant construction
 Servo drives and servo assemblies

EPIC® POWER LS1.5 A1

Technical Data

Classification:	ETIM 5.0 Class-ID: EC002635 ETIM 5.0 Class-Description: Circular connector (industrial connector)
Rated voltage (V):	630 V (3.6mm contacts) 250 V (2mm contacts)
Rated impulse voltage:	6 kV (3.6 mm contacts) 4 kV (2 mm contacts)
Rated current in A:	70 A (3.6 mm contacts) at 25 °C 30 A (2mm contacts) at 25 °C
Pollution degree:	3
Contacts:	Gold-plated brass
Number of contacts:	3+PE+2(3.6mm/2mm) 3+PE+4(3.6mm/2mm)
Cable connection:	Crimp termination: 0.75 – 10 mm ² (3.6mm contacts) Crimp termination: 0.14 - 4.0 mm ² (2mm contacts)
Material:	Housing: Nickel-plated zinc die-cast, nickel-plated brass Insulating body: PA Seal: FPM
Protection rating:	IP 67
Plug cycles:	50
Temperature range:	-20 °C až +125 °C

Note

Photographs are not to scale and do not represent detailed images of the respective products.
Prices are net prices without VAT and surcharges. Sale to business customers only.

EPIC® POWER LS1.5 A1

Article number	Article description	Fastening type	Pin configuration
Type LS1.5 A1 for male contacts			
44429308	EPIC® POWER LS1.5 A1	Ø 4.2 mm (4x)	3+PE+2
44429309	EPIC® POWER LS1.5 A1	Ø 4.2 mm (4x)	3+PE+4

Last Update (09.05.2017)

©2017 Lapp Group - Technical changes reserved

 Product Management www.lappkabel.de

You can find the current technical data in the corresponding data sheet.

PN 0456 / 02_03.16