

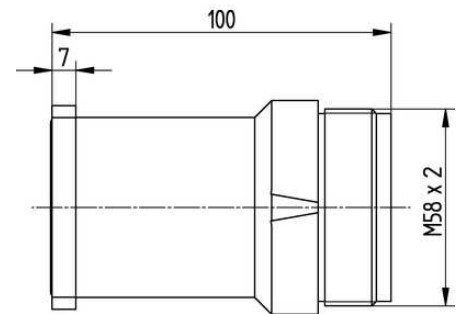
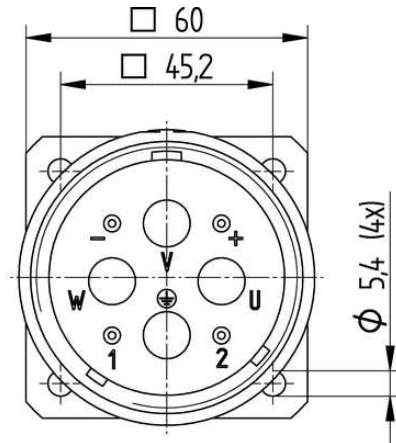
## EPIC® POWER LS3 A1

Circular connector for servo drives and power supply.

EPIC® LS3 panel-mount base for male contacts

### Info

Robust power supply connector



Waterproof



Interference signals



Reliability



Robust

### Benefits

more power for servo motors  
 Robust against mechanical impacts  
 EMC protection

### Application range

Plant construction  
 Servo drives and servo assemblies

**EPIC® POWER LS3 A1****Technical Data**

Classification:	ETIM 5.0 Class-ID: EC002635 ETIM 5.0 Class-Description: Circular connector (industrial connector)
Rated voltage (V):	630 V (10mm contacts) 250 V (1.6 mm contacts)
Rated impulse voltage:	6 KV (10mm contacts) 4 kV (1.6mm contacts)
Rated current in A:	150 A (10mm contacts) at 25 °C 12 A (1.6-mm contacts) at 25 °C
Pollution degree:	3
Contacts:	Silver-plated brass Gold-plated brass
Number of contacts:	3+PE+2(10mm/1.6mm) 3+PE+4(10mm/1.6mm)
Cable connection:	Crimp termination 10 – 50 mm <sup>2</sup> (10mm contacts) Crimp termination 0.75 – 1.5 mm <sup>2</sup> (1.6 mm contacts)
Material:	Housing: Anodised aluminium Insulating body: PA Seal: FPM
Protection rating:	IP 67
Plug cycles:	50
Temperature range:	-20 °C až +120 °C

**Note**

Photographs are not to scale and do not represent detailed images of the respective products.  
Prices are net prices without VAT and surcharges. Sale to business customers only.

## EPIC® POWER LS3 A1

Article number	Article description	Fastening type	Pin configuration
Type LS3 A1 for male contacts			
44429352	LS3 A1	Ø 4.2 mm (4x)	3+PE+2
44429353	LS3 A1	Ø 4.2 mm (4x)	3+PE+4

Last Update (19.05.2017)

©2017 Lapp Group - Technical changes reserved

Product Management [www.lappkabel.de](http://www.lappkabel.de)

You can find the current technical data in the corresponding data sheet.

PN 0456 / 02\_03.16