






SKINTOP® MS-M ATEX BRUSH

SKINTOP® MS-M ATEX BRUSH, brass cable gland, 360° screen contact, anti-static & impact-resistant at cold temperatures, for chemical industry



-  Variety of approval certifications
-  Reliability
-  Optimum strain relief
-  Mechanical resistance
-  Good chemical resistance
-  Oil & Gas

Benefits

Faster and less complicated assembling than any other system
 Optimum, low-resistance 360° screen contact
 Simple cable adjustment
 Easy to uninstall
 Anti-static, safe, and impact-resistant at cold temperatures

Last Update (05.05.2017)

©2017 Lapp Group - Technical changes reserved

Product Management www.lappkabel.de

You can find the current technical data in the corresponding data sheet.

PN 0456 / 02_03.16

SKINTOP® MS-M ATEX BRUSH

Application range

For EMC-compliant earthing of the copper braided shield, or for cables with copper corrugated sheath
Chemical and petrochemical industry
Plant construction
Equipment group II / category 2G+1D
Devices, machines and apparatus of enhanced safety ignition protection type "e"

Design

Metric connection thread according to DIN EN 60423
Basis for technical information DIN IEC 62444

Note

SKINDICHT® SHVE-M 20 x 1.5 ATEX design with EMC earthing sleeve to cover small cable clamping ranges
SKINDICHT® SHVE-M 20x1,5 ATEX is not IECex approved

Technical Data

Classification:	ETIM 5.0 Class-ID: EC000441 ETIM 5.0 Class-Description: Cable gland
Caution:	Refer to the package insert for the installation dimensions and tightening torques
Certifications:	DNV for SKINDICHT® SHVE-M ATEX pending SKINDICHT® SHVE-M ATEX is not IECex approved
Note:	CE 0637 Ex II 2G Ex eb IIC Ex II 1D Ex ta IIIC IECEx IBE 13.0026X
Material:	SKINTOP® MS-M ATEX BRUSH Body: Nickel-plated brass Insert: Special polyamide EMC brush: Brass Sealing ring: Special elastomer O-ring: Special elastomer SKINDICHT® SHVE-M ATEX Body: Nickel-plated brass Earthing sleeve: Bare brass Sealing cone: Special elastomer O-ring: Special elastomer
Tests:	DIN EN 60079-0 DIN EN 60079-7 DIN EN 60079-31
Protection rating:	IP 68 - 10 bar
Temperature range:	SKINTOP® MS-M ATEX BRUSH -30°C to +90°C SKINDICHT® SHVE-M ATEX -20°C to +80°C

Note

Photographs are not to scale and do not represent detailed images of the respective products.
Prices are net prices without VAT and surcharges. Sale to business customers only.

Last Update (05.05.2017)

©2017 Lapp Group - Technical changes reserved

Product Management www.lappkabel.de

You can find the current technical data in the corresponding data sheet.

PN 0456 / 02_03.16

**SKINTOP® MS-M ATEX BRUSH**

Article number	Article designation / size	Outer Ø (mm), from - to	Minimum Ø above braiding (mm)	SW mm	Thread length, D (mm)
SKINDICHT® SHVE-M ATEX					
52107102	M 20 x 1,5	6.9 - 8.9	5	22	6
SKINTOP® MS-M ATEX BRUSH					
52110023	M 25 x 1,5	9 - 17	6	29	8
52110024	M 32 x 1,5	11 - 21	8	36	9
52110025	M 40 x 1,5	19 - 28	10	45	9
52110026	M 50 x 1,5	27 - 35	14	54	10
52110027	M 63 x 1,5	34 - 45	20	67	15
52110028	M 63 x 1,5 plus	44 - 55	25	75	15

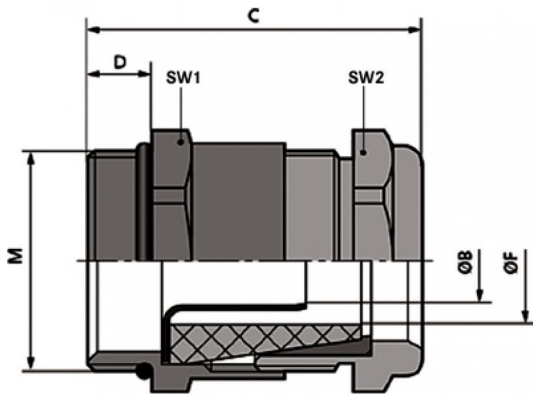
Last Update (05.05.2017)

©2017 Lapp Group - Technical changes reserved

Product Management www.lappkabel.de

You can find the current technical data in the corresponding data sheet.
PN 0456 / 02_03.16

SKINTOP® MS-M ATEX BRUSH



Last Update (05.05.2017)

©2017 Lapp Group - Technical changes reserved

Product Management www.lappkabel.de

You can find the current technical data in the corresponding data sheet.

PN 0456 / 02_03.16