

SKINTOP® ST-M

SKINTOP® ST-M, increased oil-resistant plastic cable gland with variable clamping range, permanent vibration protection, for offshore use

Info

Now with IP69 approval! Proven to withstand demanding cleaning procedures for machinery and systems with high-pressure cleaners and hot water!



Variety of approval certifications



Temperature-resistant



Optimum strain relief



Assembly time



Maximum vibration protection



Wide clamping range



Good chemical resistance

SKINTOP® ST-M

Benefits

High oil resistance for maximum functional reliability
Permanent vibration protection
Wide, variable clamping ranges
Optimum strain relief
Various accessories (e.g. multiple sealing inserts)

Application range

Used in areas where a lot of cables and wires need to be inserted into housing with minimum space requirements
Machine and equipment manufacturing
Photovoltaics
Automation technology
Off-shore plants and shipbuilding

Norm references / approvals

UL file no. E79903
GGVS: TÜ.EGG.020-95

Design

Metric connection thread according to DIN EN 60423
Basis for technical information DIN IEC 62444

Note

Refer to SKINTOP® metric accessories for suitable accessories
Counter nut to be used: SKINTOP® GMP-GL-M
SKINTOP® ST(R) M ISO versions have an extra-long connection thread
SKINTOP® ST(R) M ISO versions with extra-long connection thread, see table, have no DNV approval

Technical Data

Classification:	ETIM 5.0 Class-ID: EC000441 ETIM 5.0 Class-Description: Cable gland
Caution:	Refer to T21 for the installation dimensions and tightening torques Size M 40 x 1.5 up to M 63 x 1.5 with O-ring
Colour delivered:	RAL 7001 silver grey RAL 7035 light grey RAL 9005 black/UV-resistant
Material:	Body: Polyamide Seal: CR
Tests:	GGVS: TÜ.EGG.020-95
Protection rating:	IP 68 - 5 bar IP 69
Temperature range:	static: -40 °C to +100 °C dynamic: -20 °C to +100 °C

Note

Photographs are not to scale and do not represent detailed images of the respective products.
Prices are net prices without VAT and surcharges. Sale to business customers only.

Last Update (02.05.2017)

©2017 Lapp Group - Technical changes reserved

Product Management www.lappkabel.de

You can find the current technical data in the corresponding data sheet.

PN 0456 / 02_03.16

**SKINTOP® ST-M**

Article number	Article designation / size	Clamping range ØF (mm)	SW mm	Total length C (mm)	Thread length, D (mm)
SKINTOP® ST-M silver-grey					
53111000	M 12 x 1,5	3.5 - 7	15	30	8
53111010	M 16 x 1,5	4.5 - 10	19	34	8
53111020	M 20 x 1,5	7 - 13	25	37	9
53111030	M 25 x 1,5	10 - 17	30	40	10
53111040	M 32 x 1,5	11 - 21	36	47	10
53111050	M 40 x 1,5	19 - 28	46	52	10
53111060	M 50 x 1,5	27 - 35	55	62	12
53111070	M 63 x 1,5	34 - 45	66	71	12
SKINTOP® ST-M black					
53111200	M 12 x 1,5	3.5 - 7	15	30	8
53111210	M 16 x 1,5	4.5 - 10	19	34	8
53111220	M 20 x 1,5	7 - 13	25	37	9
53111230	M 25 x 1,5	10 - 17	30	40	10
53111240	M 32 x 1,5	11 - 21	36	47	10
53111250	M 40 x 1,5	19 - 28	46	52	10
53111260	M 50 x 1,5	27 - 35	55	62	12
53111270	M 63 x 1,5	34 - 45	66	71	12
SKINTOP® ST-M light grey					
53111400	M 12 x 1,5	3.5 - 7	15	30	8
53111410	M 16 x 1,5	4.5 - 10	19	34	8
53111420	M 20 x 1,5	7 - 13	25	37	9
53111430	M 25 x 1,5	10 - 17	30	40	10
53111440	M 32 x 1,5	11 - 21	36	47	10
53111450	M 40 x 1,5	19 - 28	46	52	10
53111460	M 50 x 1,5	27 - 35	55	62	12
53111470	M 63 x 1,5	34 - 45	66	71	12
SKINTOP® ST M ISO silver-grey (with long metric connection thread)					
53017010	M 16 x 1,5 ISO	3.5 - 8	19	40	12
53017030	M 20 x 1,5 ISO	5 - 12	24	45	13
53017040	M 25 x 1,5 ISO	9 - 14	27	47	13
SKINTOP® ST M ISO black (with long metric connection thread)					
53010000	M 12 x 1,5 ISO	3.5 - 7	15	36.7	15
53017210	M 16 x 1,5 ISO	3.5 - 8	19	40	12
53017230	M 20 x 1,5 ISO	5 - 12	24	45	13

SKINTOP® ST-M

Article number	Article designation / size	Clamping range ØF (mm)	SW mm	Total length C (mm)	Thread length, D (mm)
53017240	M 25 x 1,5 ISO	9 - 14	27	47	13

Last Update (02.05.2017)

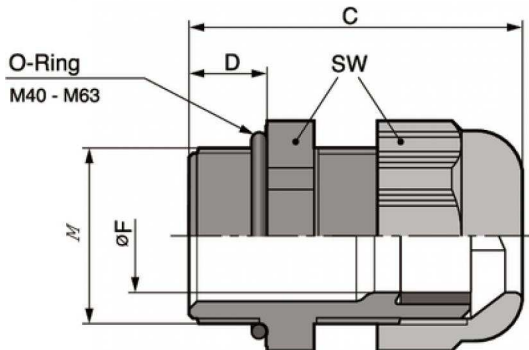
©2017 Lapp Group - Technical changes reserved

 Product Management www.lappkabel.de

You can find the current technical data in the corresponding data sheet.

PN 0456 / 02_03.16

SKINTOP® ST-M



Last Update (02.05.2017)

©2017 Lapp Group - Technical changes reserved

Product Management www.lappkabel.de

You can find the current technical data in the corresponding data sheet.

PN 0456 / 02_03.16