

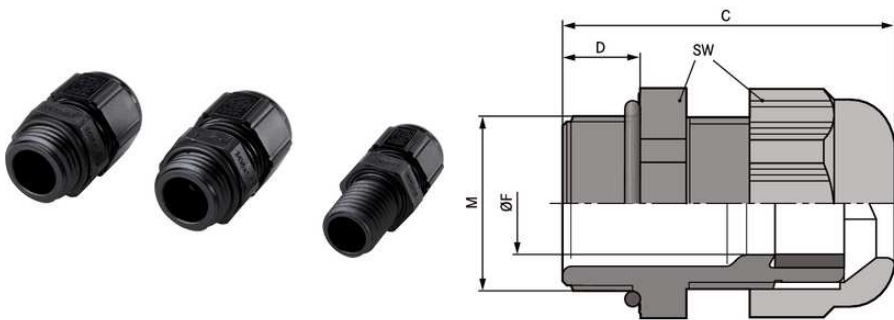
SKINTOP® SOLAR plus

SKINTOP® for photovoltaics

SKINTOP® SOLAR plus cable gland for SOLAR applications

Info

Cable entry for photovoltaic applications, based on EN 50262, EN 50548 and UL 1703.



Benefits

- UV- and ozone-resistant
- UL 746 C - UL F1 outdoor use
- High strain relief
- Permanent vibration protection
- Extremely flame-retardant according to UL 94V-0 / 94-5VA

Application range

Photovoltaic and solar parks

Norm references / approvals

UL file no. E79903

Design

Metric connection thread according to DIN EN 60423
Basis for technical information DIN IEC 62444

Note

Counter nut to be used: SKINDICHT® SM-M
Counter nut to be used: SKINTOP® GMP-GL-M

Last Update (03.05.2017)

©2017 Lapp Group - Technical changes reserved

Product Management www.lappkabel.de

You can find the current technical data in the corresponding data sheet.

PN 0456 / 02_03.16

SKINTOP® SOLAR plus**Technical Data**

Classification:	ETIM 5.0 Class-ID: EC000441 ETIM 5.0 Class-Description: Cable gland
Caution:	Refer to T21 for the installation dimensions and tightening torques
Colour delivered:	RAL 9005 black/UV-resistant
Material:	Body: Polycarbonate Seal: Silicone O-ring: Silicone
Tests:	Cold impact test according to UL 1703/UL 746 C
Protection rating:	IP 68 - 5 bar
Temperature range:	-40°C to +125°C

Note

Photographs are not to scale and do not represent detailed images of the respective products.
Prices are net prices without VAT and surcharges. Sale to business customers only.

SKINTOP® SOLAR plus

Article number	Article designation / size	Clamping range ØF (mm)	SW mm	Total length C (mm)	Thread length, D (mm)
SKINTOP® SOLAR plus					
53113321	M 12 x 1,5	3.5 - 7	15	36	15
53113331	M 16 x 1,5	7 - 9	19	34	8

Last Update (03.05.2017)

©2017 Lapp Group - Technical changes reserved

 Product Management www.lappkabel.de

You can find the current technical data in the corresponding data sheet.

PN 0456 / 02_03.16