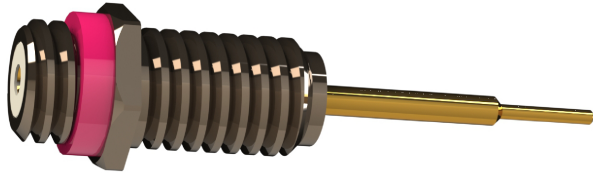
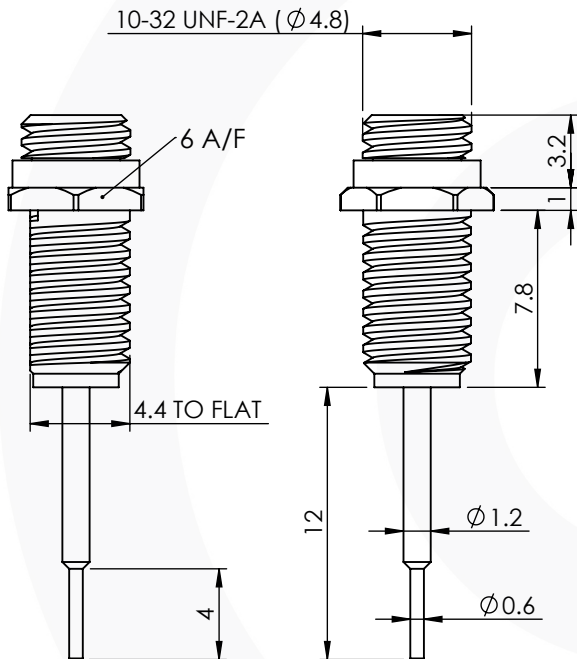


10-32 FEEDTHROUGH ADAPTOR

54-385-B3-12



images for illustration purposes only



Suitable for Cables:

N/A

Environmental Specification

Operating Temp: -55 to +155 Deg C.

IP Rating (Mated): IP64

Electrical Specification Mechanical Specification

Impedance: Not Applicable Contact Retention: 27 N min

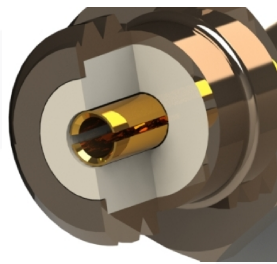
Frequency: N/A Cable Retention: N/A

Dielectric W/V: 1000 Veff Mating cycles: 250

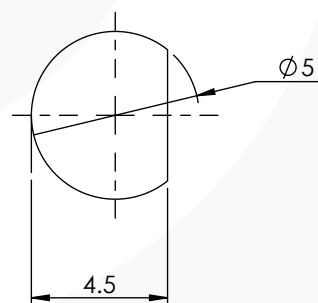
Insulation res: 5000 M-Ohm Weight: 1.52 g

Connector Interface

image for illustration purposes only



Recommended Mounting Hole



4	GASKET	SILICONE	N/A
3	INSULATOR	PTFE	N/A
2	CENTRE CONTACT	BeCu	GOLD
1	BODY	BRASS	NICKEL
ITEM	DESCRIPTION	MATERIAL	PLATING

A4	SHEET 1 OF 1	DIMENSIONS ARE IN MILLIMETRES		
REVISION :	A01	NAME	SIGNATURE	DATE
ISSUE :	0	DRAWN	IG	30/07/2018
		CHK'D	GE	31/07/2018
		APPV'D		
6-8 COLNE ROAD, TWICKENHAM, MIDDLESEX. TW1 4JR				
<small>THE INFORMATION IS GIVEN AS AN INDICATION ONLY AND IS SUBJECT TO CHANGE WITHOUT NOTICE. IN THE CONTINUAL GOAL TO IMPROVE OUR PRODUCTS, WE RESERVE THE RIGHT TO MAKE ANY MODIFICATIONS NECESSARY WITHOUT PRIOR NOTICE.</small>				