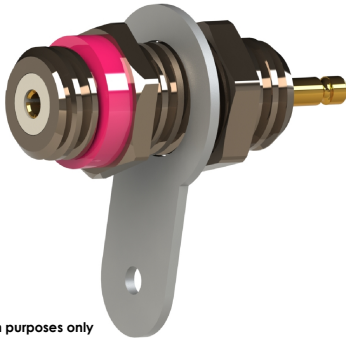
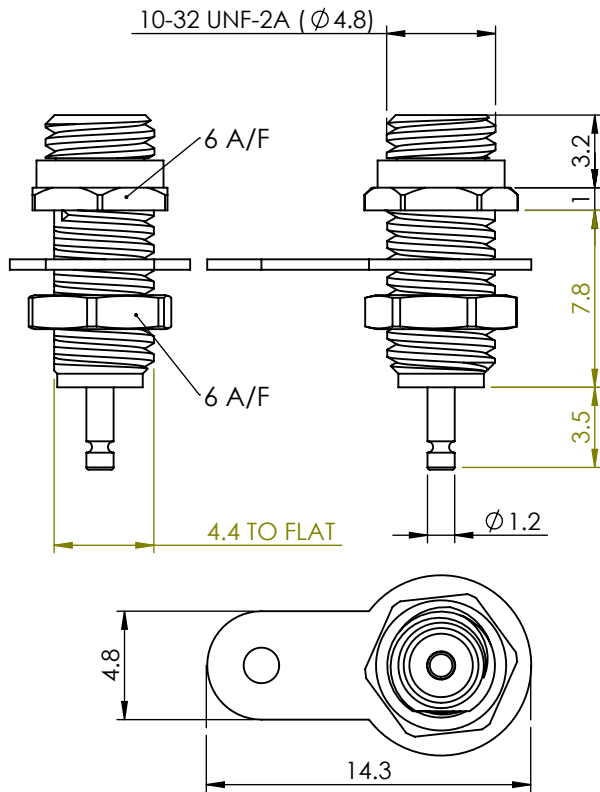


10-32 STRAIGHT BULKHEAD FRONT MOUNT SOLDER JACK 54-385-B3



images for illustration purposes only



Suitable for Cables:

N/A

Environmental Specification

Operating Temp: -55 to +155 Deg C.

IP Rating (Mated): IP64

Electrical Specification

Impedance: Not Applicable

Frequency: N/A

Dielectric W/V: 1000 Veff

Insulation res: 5000 M-Ohm

Mechanical Specification

Contact Retention: 27 N min

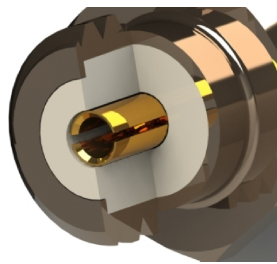
Cable Retention: N/A

Mating cycles: 250

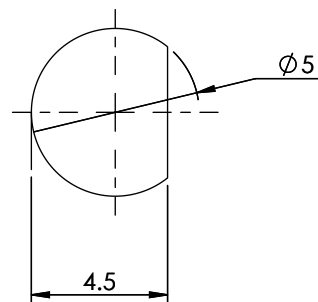
Weight: 1.87 g

Connector Interface

image for illustration purposes only



Recommended Mounting Hole



5	GASKET	SILICONE	N/A
4	SOLDER TAG	BRASS	TIN
3	INSULATOR	PTFE	N/A
2	CENTRE CONTACT	BeCu	GOLD
1	BODY	BRASS	NICKEL
ITEM	DESCRIPTION	MATERIAL	PLATING

A4	SHEET 1 OF 1	DIMENSIONS ARE IN MILLIMETRES				
REVISION :	A02		NAME	SIGNATURE	DATE	
DRAWN :	IG				04/07/2012	
ISSUE :	0		CHK'D	GE		18/07/2012
			APPV'D			
<p>6-8 COLNE ROAD, TWICKENHAM, MIDDLESEX. TW1 4JR</p> <p>THE INFORMATION IS GIVEN AS AN INDICATION ONLY AND IS SUBJECT TO CHANGE WITHOUT NOTICE. IN THE CONTINUAL GOAL TO IMPROVE OUR PRODUCTS, WE RESERVE THE RIGHT TO MAKE ANY MODIFICATIONS NECESSARY WITHOUT PRIOR NOTICE.</p>						