


Product information

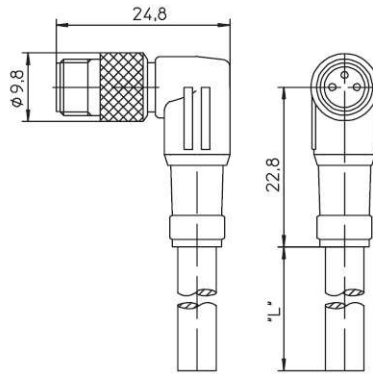
RSMWV - RSMWV 4-07/10 M

Name		RSMWV
		
		Cordsets, single-ended, for actuator/sensors and distribution boxes, M8 male connector, angled, with self-locking threaded joint and molded cable, 4 poles, PVC jacket, orange, 10 meters.
Delivery informations		
Availability	available	
Product description		
Type	RSMWV 4-07/10 M	
Order No.	auf Anfrage	
Description	Cordsets, single-ended, for actuator/sensors and distribution boxes, M8 male connector, angled, with self-locking threaded joint and molded cable, 4 poles, PVC jacket, orange, 10 meters.	
Note	The application of these products in harsh environments should always be checked before use.	
Number of contacts	4	
Color of housing	black translucent	
Product characteristics	Vibration resistance	
Classification		
Belden brand	Lumberg-Automation	
Mechanical data		
Type of plug-in contact	Male connector	
Design of housing	angled	
Thread	M8	
Design of electrical connection	connector M8	
LED display present	✘	
Environmental conditions		
Environmental temperature	-40 °C ... 90 °C	
Degree of protection (IP), mounted	IP67	
Pollution degree	3	
Materials		
Housing material / Molded body	TPU	
Contact bearer material	PA/TPU	
Contact material	CuZn	
Contact material - Surface refinement	pre-nickeled and 0.8 microns gold-plated	
Knurled screw / nut material	CuZn, nickel-plated	
Electrical data		
Contact resistance	≤ 5 mΩ	
Rated current I _n	4 A at 40°C	
Nominal voltage	30 V	
Rated voltage	36 V	
Test voltage	0.8 kV eff./60 s	
Insulation resistance	> 1 GΩ	
Approvals		
Approvals	UL	
Cable		
Cable length	10 m	
Cable number	07	
Cable description	Sensor connecting cable	

Color of jacket	orange
Material of outer jacket	PVC
Without halogens as in EN 50267-2-3	✘
shielded	✘
welding spark proof	✘
Outer diameter of the cable	5.0 mm
Number of conductors	4
Cable design	4 x 0.25 mm ²
Conductor design	32 x 0.10 mm
Flame resistant according to standard	none

Picture

Drawing



**4-polig
4 poles**



- 1 = braun / brown
- 2 = weiß / white
- 3 = blau / blue
- 4 = schwarz / black