
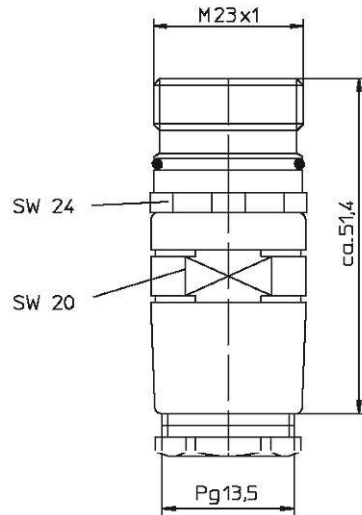


Product information

RSC-F-120/13,5

Product information	
Name	RSC-F-120/13,5
	
	Field Attachable Connector, M23 male connector with threaded joint, external thread, assembling with solder connections, screw joint for cable PG 13,5, 12 poles
Delivery informations	
Availability	available
Product description	
Type	RSC-F-120/13,5
Order No.	7188
Description	Field Attachable Connector, M23 male connector with threaded joint, external thread, assembling with solder connections, screw joint for cable PG 13,5, 12 poles
Number of contacts	12
Product characteristics	Vibration resistance, Oil resistance, Drag chains suitable, EMC resistance, UV resistance
Mechanical data	
Type of plug-in contact	Male connector
Thread	M23
Design of electrical connection	connector M23
Environmental conditions	
Environmental temperature	-40 °C ... 90 °C
Degree of protection (IP), mounted	IP67
Pollution degree	3
Materials	
Housing material / Molded body	CuZn, nickel-plated
Contact bearer material	PBT
Contact material	CuZn
Contact material - Surface refinement	pre-nickeled and gold-plated
Knurled screw / nut material	CuZn, nickel-plated
Electrical data	
Rated current In	7.5 A
Nominal voltage	240 V
Rated voltage	250 V
Test voltage	1,5 kV eff./60 s
Approvals	
Approvals	RoHS 2002/95/EG

Picture
Drawing



12-polig
12 poles

