
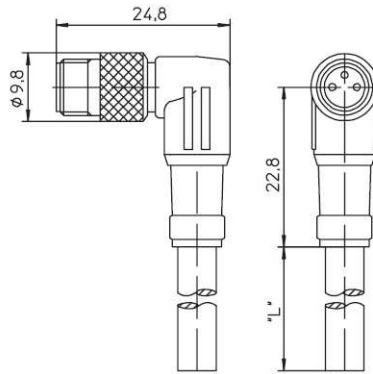


## Product information

### RSMWV - RSMWV 3-224/10 M

|                                       |   |
|---------------------------------------|---|
| Name                                  |   |
|                                       | RSMWV   |
|                                       |    |
|                                       | Cordsets, single-ended, for actuator/sensors and distribution boxes, M8 male connector, angled, with self-locking threaded joint and molded cable, 3 poles, PUR jacket, halogen free, black, 10 meters. |
| Delivery informations                 |   |
| Availability                          | available   |
| Product description                   |   |
| Type                                  | RSMWV 3-224/10 M  |
| Order No.                             | auf Anfrage   |
| Description                           | Cordsets, single-ended, for actuator/sensors and distribution boxes, M8 male connector, angled, with self-locking threaded joint and molded cable, 3 poles, PUR jacket, halogen free, black, 10 meters. |
| Note                                  | The application of these products in harsh environments should always be checked before use.  |
| Number of contacts                    | 3   |
| Color of housing                      | black translucent   |
| Product characteristics               | Vibration resistance, Drag chains, Oil resistance   |
| Classification                        |   |
| Belden brand                          | Lumberg-Automation  |
| Mechanical data                       |   |
| Type of plug-in contact               | Male connector  |
| Design of housing                     | angled  |
| Thread                                | M8  |
| Design of electrical connection       | connector M8  |
| LED display present                   | ✘   |
| Environmental conditions              |   |
| Environmental temperature             | -40 °C ... 90 °C  |
| Degree of protection (IP), mounted    | IP67  |
| Pollution degree                      | 3   |
| Materials                             |   |
| Housing material / Molded body        | TPU   |
| Contact bearer material               | PA/TPU  |
| Contact material                      | CuZn  |
| Contact material - Surface refinement | pre-nickeled and 0.8 microns gold-plated  |
| Knurled screw / nut material          | CuZn, nickel-plated   |
| Electrical data                       |   |
| Contact resistance                    | ≤ 5 mΩ  |
| Rated current I <sub>n</sub>          | 4 A at 40°C   |
| Nominal voltage                       | 60 V  |
| Rated voltage                         | 63 V  |
| Test voltage                          | 1.5 kV eff./60 s  |
| Insulation resistance                 | > 1 GΩ  |
| Approvals                             |   |
| Approvals                             | UL  |
| Cable                                 |   |
| Cable length                          | 10 m  |
| Cable number                          | 224   |
| Cable description                     | Cable for sensors and actuators   |

|                                       |                          |
|---------------------------------------|--------------------------|
| Color of jacket                       | black                    |
| Material of outer jacket              | PUR                      |
| Without halogens as in EN 50267-2-3   | ✓                        |
| shielded                              | ✗                        |
| welding spark proof                   | ✗                        |
| Outer diameter of the cable           | 4.3 mm                   |
| Number of conductors                  | 3                        |
| Cable design                          | 3 x 0.34 mm <sup>2</sup> |
| Conductor design                      | 43 x 0.10 mm             |
| Flame resistant according to standard | yes                      |

**Picture**
**Drawing**

**3-polig  
3 poles**


- 1 = braun / brown
- 3 = blau / blue
- 4 = schwarz / black