

Our 600 Series - [Ethernet Buccaneer Connectors](#) provide a reliable ethernet connection in environments where regular Ethernet connectors would be prone to damage or malfunction. They are designed to [withstand the harshest of environments](#), such as [outdoor, industrial, or military applications](#). These connectors are built with materials & features that protect against dust & water ingress, vibrations & extreme temperatures. The 600 series connectors come with [EMI shielded & unshielded versions](#) and are available in jam nut, flange mount, inline plug, and plug options.



Key Features:

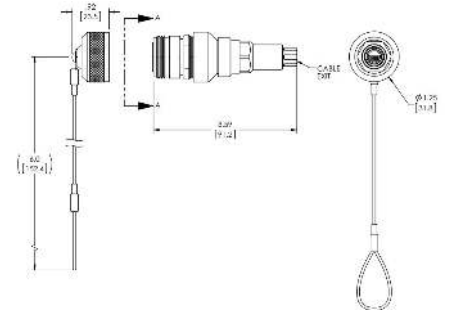
- ⊠ Cat 5e & Cat 6a compliant
- ⊠ Supports 10, 100 & 1,000 Mbps data transmissions
- ⊠ POE, POE+ & POE++
- ⊠ DATA, VOIP & IPTV in Harsh Environments
- ⊠ Durability >500 cycles
- ⊠ Operating temperature -40°C to +100°C
- ⊠ Screw coupling
- ⊠ IP68-rated
- ⊠ EMI Shielded & Unshielded versions
- ⊠ Transversely Sealed IP68 when mated & unmated
- ⊠ Sealing Cap option is available

Transversely Sealed Inline Plug



PXM0608

- ⊕ IP68 when mated & unmated
- ⊕ Female RJ45 interface
- ⊕ Screw coupling
- ⊕ Mates with Plug with cap & Plug
- ⊕ Standard RJ45 cable to be sourced or modular connector



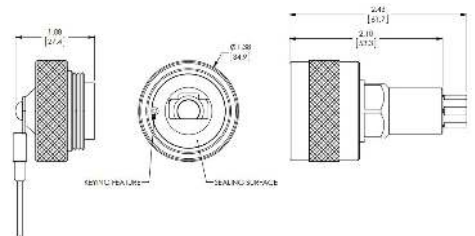
Part No.	Category	Plating	Colour	Cable Entry
PXM0608NSANBK4868	Standard RJ45 cable to be sourced	Anodised	Black	4.82-6.85mm
PXM06086FANBK4868	Category 6a modular connector supplied	Anodised	Black	4.82-6.85mm

Plug with Cap



PXM0600

- ⊕ IP68 when mated
- ⊕ Male RJ45 to be installed
- ⊕ Screw coupling
- ⊕ Mates with Transversely Sealed Inline Plug, Jam Nut & Flange Mount
- ⊕ Standard RJ45 cable to be sourced or modular connector



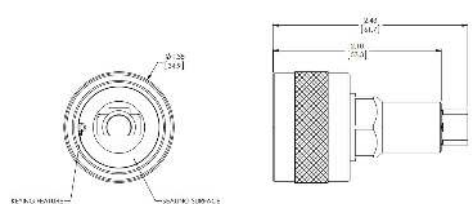
Part No.	Category	Plating	Colour	Cable Entry
PXM0600NSANBK4868	Standard RJ45 cable to be sourced	Anodised	Black	4.82-6.85mm
PXM0600NSANBK6883	Standard RJ45 cable to be sourced	Anodised	Black	6.88-8.38mm
PXM06006MANBK4868	Category 6a modular connector supplied	Anodised	Black	4.82-6.85mm
PXM06006MENBK4868	Category 6a modular connector supplied	Electroless Nickel	Black	4.82-6.85mm
PXM06006MENBK6883	Category 6a modular connector supplied	Electroless Nickel	Black	6.88-8.38mm

Plug



PXM0609

- ⊕ IP68 when mated
- ⊕ Male RJ45 to be installed
- ⊕ Screw coupling
- ⊕ Mates with Transversely Sealed Inline Plug, Jam Nut & Flange Mount
- ⊕ Standard RJ45 cable to be sourced or modular connector



Part No.	Category	Plating	Colour	Cable Entry
PXM0609NSANBK4868	Standard RJ45 cable to be sourced	Anodised	Black	4.82-6.85mm
PXM0609NSANBK6883	Standard RJ45 cable to be sourced	Anodised	Black	6.88-8.38mm



Product Specification:

Electrical

Shock Resistance:	100g 6ms
Humidity:	98%
Insertion Loss:	1000 BASE-T
Hi-pot high-voltage Test:	600VAC-60Hz, 900uA
Shell-to-shell conductivity:	1A @ 1.5VDC, 100hrs
Electromagnetic Shielding Effectiveness:	20kHz, 150kHz, 14MHz, 400MHz, 600MHz, 1GHz, 2GHz, 8GHz, 10GHz, vert. and horz., <-60dB

Material:

Body:	Aluminium
Plating:	Available in Anodised, Electroless Nickel
Hardware:	Stainless Steel
Seals:	Silicone
Flammability:	Compliant to V0, V1, 10sec each
Lanyard:	Stainless Steel
RoHS	Compliant

Mechanical:

Cycles:	>500
Sealing:	IP68, 1m depth for 48hrs
Dust Test:	20mBAR air pressure, 8hrs
Termination:	Crimp terminals
Salt Spray:	500hr
Mechanical Shock:	100G (6ms)
Operating Temperature Range:	-40° C to +100° C
Panel Mount Thickness:	1.5-5mm
Panel Mount Nut Torque:	1.6-1.7Nm