
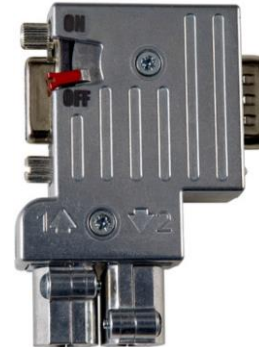


21700590	DATA SHEET	
Valid from: 17.09.2018	ED-CAN-90-PG-PRO	

Description

- EPIC® DATA CAN-Bus Sub-D connector
- 90° version
- PG
- External terminal (7 - 10 mm)



General characteristics

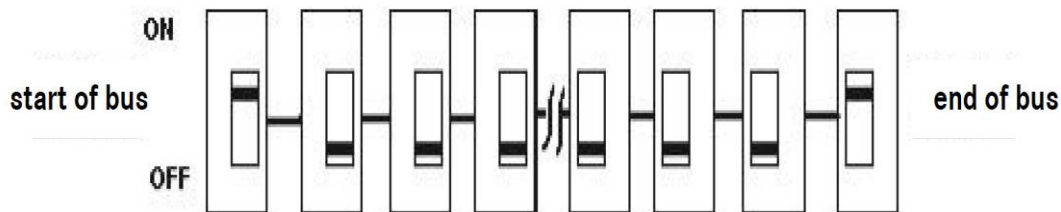
Cable outlet	90°
Interfaces	CAN-Bus-station: SUB-D socket, 9-pole
Connectors and pin layout	Acc. to CAN-bus specification
Locking screw	Sub-D/UNC 4-40
CAN-Bus cable interfaces	Strain relief and shield connection
External cable clamp	Single wire termination
Suitable cable-Ø	7.0 - 10.0 mm
Wire size	0.08 - 0.5 mm ² (AWG 28 - AWG 14)
Termination resistor	Activated via external switch
Transmission rate (max.)	1 Mbit/s
Temperature range	-20 °C to +70 °C (-4 °F to 158 °F)
Protection class	IP 30

Mechanical characteristics

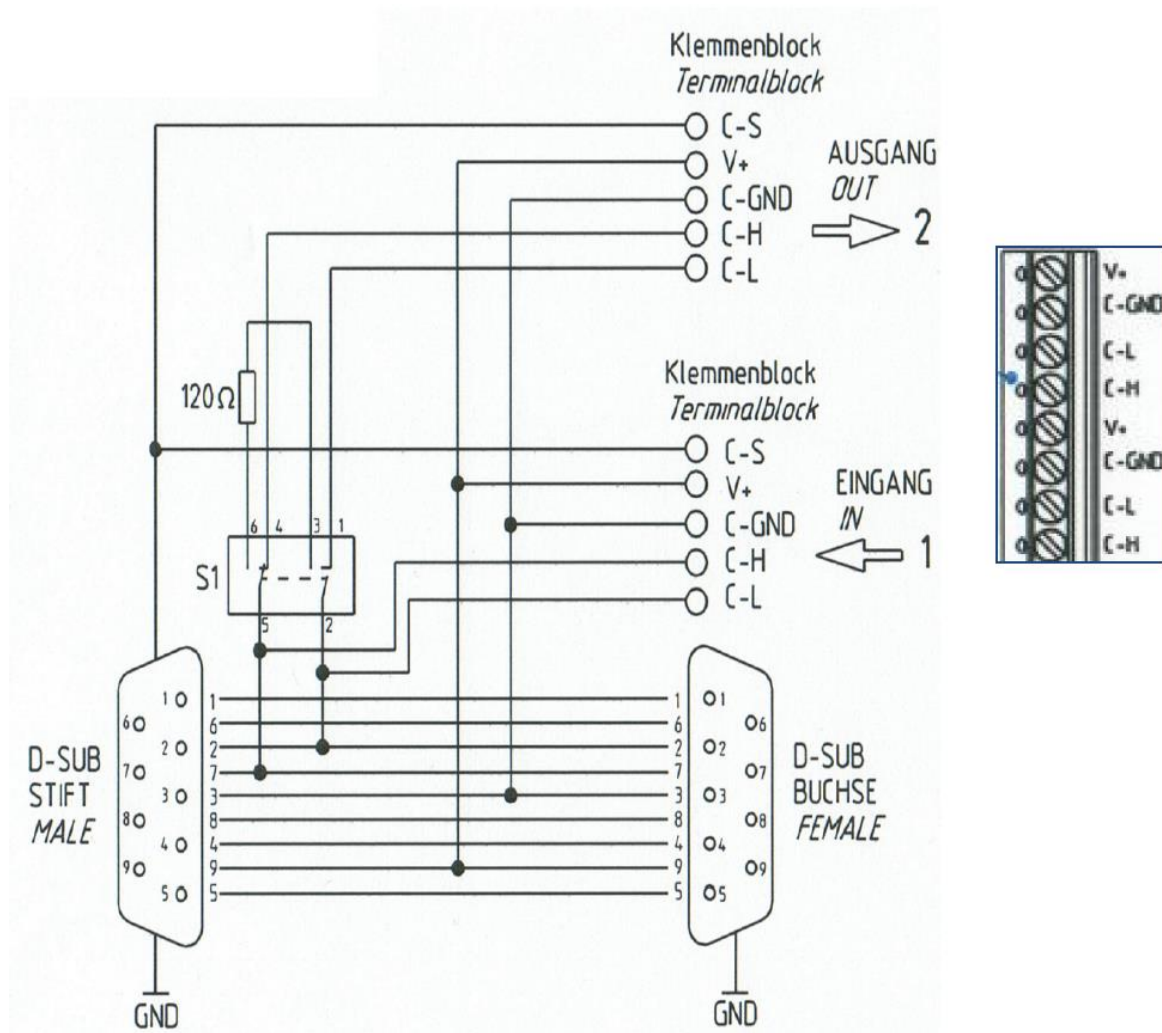
Dimensions	62.5 mm x 45.1 mm 17.5 mm (LxWxH)
Housing, material	Zn alloy
Lifetime	200 mating cycles

Technische Zeichnungen

Bus-termination



Circuit

**Application range**

Automation, industrial machinery and plant engineering

Note

Photographs are not true to scale and do not represent detailed images of the respective products.