


|                           |                           |   |
|---------------------------|---------------------------|---|
| 22260135                  | <b>DATA SHEET</b>         |  |
| Valid from:<br>12.09.2019 | <b>AB-C5-M12MS-PG9-SH</b> |   |

## Product description

- Sensor/Actuator connector M12 A-coded
- Straight plug, 5-pole, shielded
- Screw connection, metal knurl, cable screw connection Pg9



## General properties

|  |                  |
|--|------------------|
| Ambient temperature                        | -40 to +85 °C    |
| Protection degree                          | IP 67            |
| Coding                                     | A-standard       |
| Number of contacts                         | 5                |
| Outer diameter, cable                      | 6.0 – 8.0 mm     |
| Termination type                           | screw connection |
| Termination cross section, mm <sup>2</sup> | 0.25 – 0.75      |
| Mating cycles                              | ≥ 100            |

## Electrical properties

|                                |          |
|--------------------------------|----------|
| Rated voltage                  | 60 V     |
| Contact resistance             | ≤ 3 mΩ   |
| Insulation resistance          | ≥ 100 MΩ |
| Proof voltage, contact-contact | ≥ 1.0 kV |
| Proof voltage, contact-housing | ≥ 1.0 kV |
| Rated current                  | 4 A      |
| Overvoltage category           | II       |
| Pollution degree               | 3        |


## Materials

|  |                          |
|--|--------------------------|
| Contact carrier  | PA                       |
| Contact carrier, Inflammability class in acc. to UL 94 | HB                       |
| Contacts, base material                                | CuZn                     |
| Contacts, surface                                      | Au                       |
| Locking nut  | Die-cast zinc, Ni plated |
| Grip body  | Die-cast zinc, Ni plated |
| Sealing  | NBR, FPM / FKM, CR       |

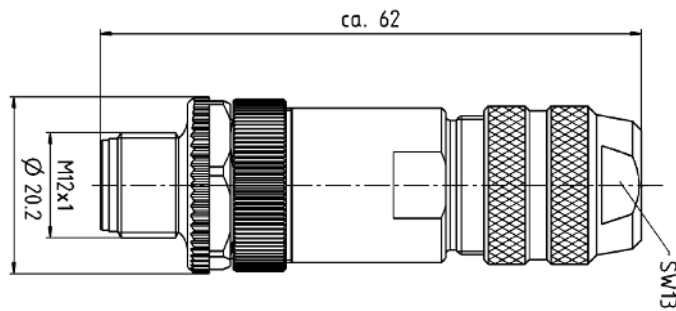
## Standards

|                  |  |
|------------------|--|
| Product standard | M12-Connector acc. to DIN EN 61076-2-101 |
|------------------|--|

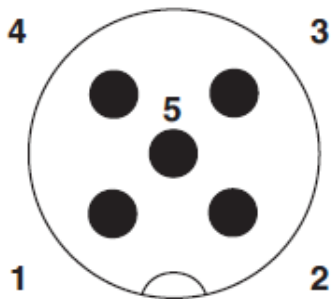
|   |                                       |             |
|---|---------------------------------------|-------------|
| Creator: MANA2/PDP<br>Released: IVSE1/PDP | Document: DB22260135EN<br>Version: 06 | Page 1 of 2 |
|---|---------------------------------------|-------------|

|                           |                           |   |
|---------------------------|---------------------------|---|
| 22260135                  | <b>DATA SHEET</b>         |  |
| Valid from:<br>12.09.2019 | <b>AB-C5-M12MS-PG9-SH</b> |   |

### Drawings



### Pin assignment



### Application range

Automation, industrial machinery and plant engineering

### Note

Photographs are not true to scale and do not represent detailed images of the respective products.

|   |                                       |             |
|---|---------------------------------------|-------------|
| Creator: MANA2/PDP<br>Released: IVSE1/PDP | Document: DB22260135EN<br>Version: 06 | Page 2 of 2 |
|---|---------------------------------------|-------------|