

22260765	DATA SHEET	
Valid from: 12.09.2019	AB-C5-M12T-2XM12FS DN	

Description

- Sensor/actuator T-connector, 5-pos., A-coded, parallel distributor
- M12 socket to M12 plug and M12 socket
- Also suitable for CANopen



General characteristics

Type of connection	M12
Protection class	IP 65 / IP 67
Number of pins	5
Coding	A-standard
Ambient Temperature (operation)	-25 to +90 °C (-13 to 194 °F)

Mechanical characteristics

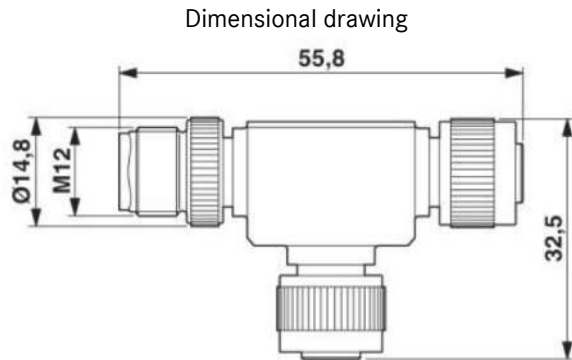
Contact, material	CuZn
Contact surface, material	Ni/Au
Contact carrier, material	TPU GF
Grip body, material	TPU, hardly inflammable, self-extinguishing
Knurl, material	Zinc die-cast, nickel-plated
Seal, material	NBR
Inflammability class acc. to UL 94	HB

Electrical characteristics

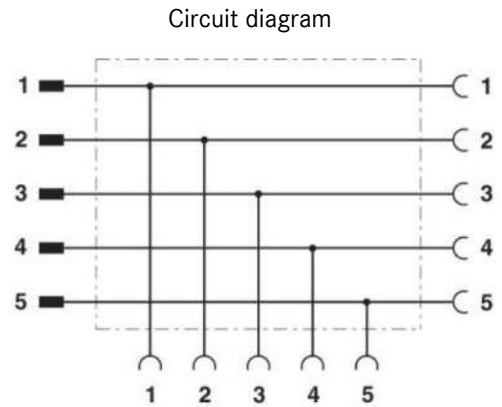
Rated voltage	60 V
Rated current	4 A
Overvoltage category	II
Pollution degree	3
Contact resistance	≤ 3 mΩ
Insulation resistance	≥ 100 MΩ

Creator: MOKO2/PDP Released: IVSE1/PDP	Document: DB22260765EN Version: 04	Page 1 of 2
---	---------------------------------------	-------------

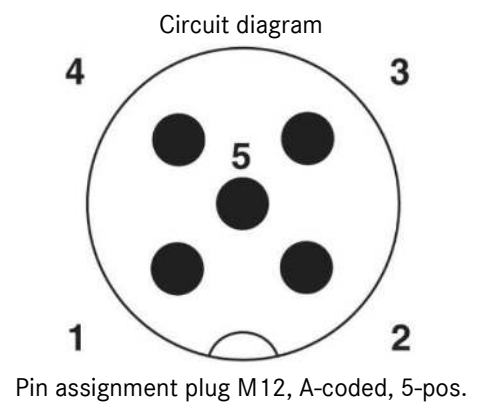
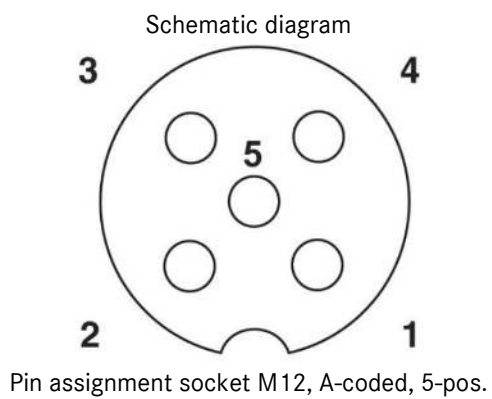
Technical Drawing



M12 T-distributor



Contact assignment of the M12 T-distributor



Application range

Machine and equipment manufacturing

Note

Photographs are not to scale and do not represent detailed images of the respective products..