




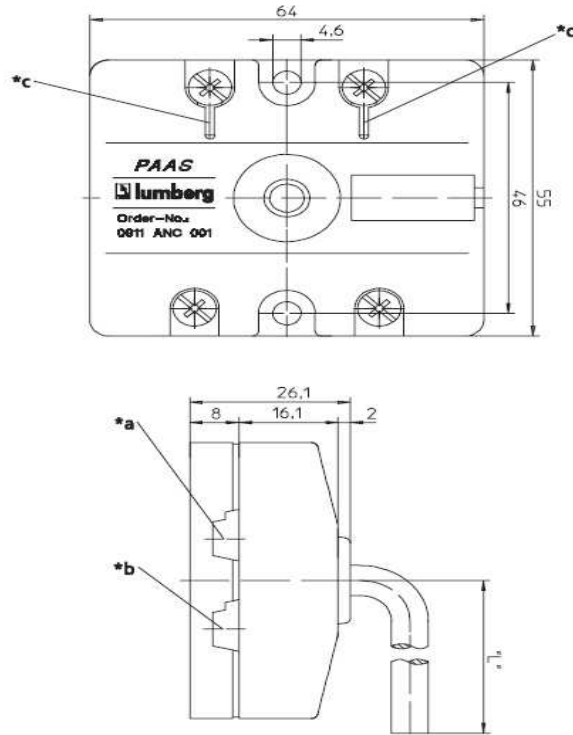
**Product information**  
**0911 ANC 001/1.5 M**  
**10924**

<b>Name</b>	
0911 ANC 001/1.5 M	
	
AS-Interface branch to connect AS-Interface slaves via a round cable with a flat cable system	
<b>Delivery informations</b>	
<b>Availability</b>	available
<b>Product description</b>	
<b>Type</b>	0911 ANC 001/1.5 M
<b>Order No.</b>	10924
<b>Description</b>	AS-Interface branch to connect AS-Interface slaves via a round cable with a flat cable system
<b>Note</b>	Insertion of the AS-Interface flat cable (yellow) in cable shaft "LINE1". Insertion of the additional voltage supply (black flat cable) in cable shaft "LINE2". The application of these products in harsh environments should always be checked before use.
<b>Color of housing</b>	black
<b>Product characteristics</b>	Oil resistance, Vibration resistance
<b>Classification</b>	
<b>Belden class</b>	AS-Interface branch
<b>Belden brand</b>	Lumberg-Automation
<b>Mechanical data</b>	
<b>Dimensions (W x H x D)</b>	64 mm x 55 mm x 26.1 mm
<b>Environmental conditions</b>	
<b>Degree of protection (IP), mounted</b>	IP65
<b>Materials</b>	
<b>Housing material / Molded body</b>	PA
<b>Electrical data</b>	
<b>Nominal current at 40°C</b>	8 A
<b>Cable</b>	
<b>Cable length</b>	1.5 m
<b>Cable number</b>	001
<b>Cable description</b>	Control cable
<b>Color of jacket</b>	orange
<b>Material of outer jacket</b>	PVC
<b>Without halogens as in EN 50267-2-3</b>	✘
<b>shielded</b>	✘
<b>welding spark proof</b>	✘
<b>Outer diameter of the cable</b>	7.2 mm
<b>Nominal diameter of the cable - amount</b>	3
<b>Nominal diameter of the cable - diameter</b>	0.75 mm <sup>2</sup>
<b>Diameter of conductor - Number</b>	22
<b>Diameter of conductor</b>	0.2 mm
<b>Flame resistant according to standard</b>	none

The information published has been compiled as carefully as possible. It is subject to alteration without notice in technical as well as in price related/commercial respect.



Picture  
Drawing



- \*a Line 1
- \*b Line 2
- \*c Erdungsfeder  
earthing spring