


Product information

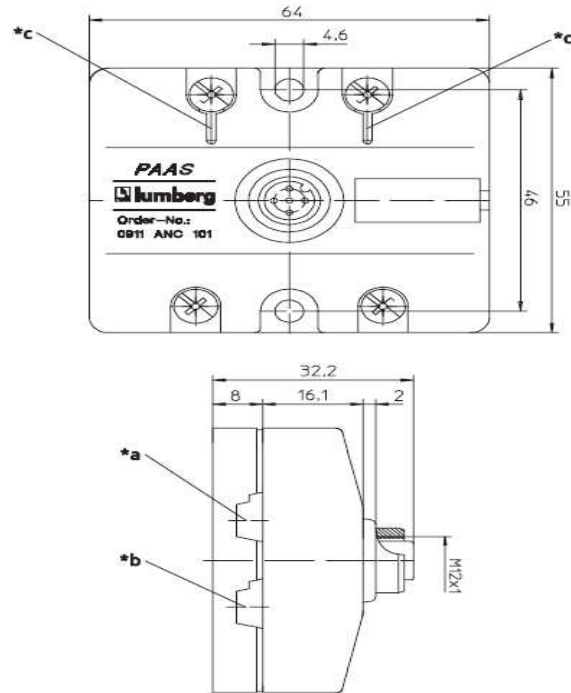
0911 ANC 101

10926

Name	
Name	0911 ANC 101
	
	AS-Interface branch to connect AS-Interface slaves via a M12 connector with a flat cable system
Delivery informations	
Availability	available
Product description	
Type	0911 ANC 101
Order No.	10926
Description	AS-Interface branch to connect AS-Interface slaves via a M12 connector with a flat cable system
Note	Insertion of the AS-Interface flat cable (yellow) in cable shaft "LINE1". Insertion of the additional voltage supply (black flat cable) in cable shaft "LINE2". The application of these products in harsh environments should always be checked before use.
Color of housing	black
Product characteristics	Oil resistance, Vibration resistance
Classification	
Belden class	AS-Interface branch
Belden brand	Lumberg-Automation
Mechanical data	
Dimensions (W x H x D)	64 mm x 55 mm x 32.2 mm
Environmental conditions	
Degree of protection (IP), mounted	IP65
Materials	
Housing material / Molded body	PA
Electrical data	
Nominal current at 40°C	max. 4 A



Picture
Drawing



- *a Line 1
- *b Line 2
- *c Erdungsfeder
earthing spring