




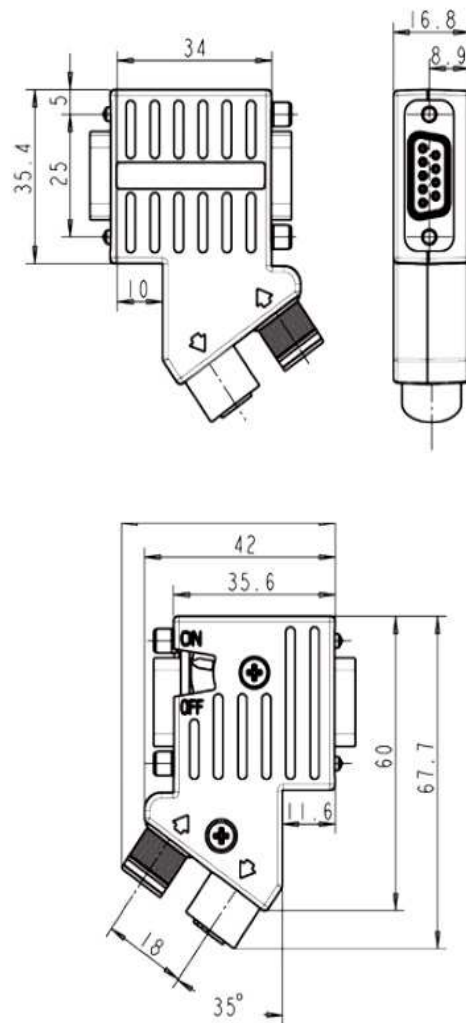
**Product information**  
**0976 PMC 512**  
**109519**

<b>Name</b>	
<b>0976 PMC 512</b>	
D-Sub/M12 Profibus bus connector, 35° compact version (Cable connection 35° to D-Sub mating interface), for stacked interfaces, Programming/diagnosis option with 2nd D-Sub, M12 quick connectors, full metal body with testing socket, with external switch for bus termination, Connectors and pin layout acc. to PROFIBUS specification	
<b>Delivery informations</b>	
<b>Availability</b>	available
<b>Product description</b>	
<b>Type</b>	0976 PMC 512
<b>Order No.</b>	109519
<b>Description</b>	D-Sub/M12 Profibus bus connector, 35° compact version (Cable connection 35° to D-Sub mating interface), for stacked interfaces, Programming/diagnosis option with 2nd D-Sub, M12 quick connectors, full metal body with testing socket, with external switch for bus termination, Connectors and pin layout acc. to PROFIBUS specification
<b>Number of contacts</b>	9
<b>Color of housing</b>	metallic
<b>Note</b>	<ul style="list-style-type: none"><li>- PROFIBUS DP Interface D-Sub 9 poles male</li><li>- PROFIBUS DP PG Interface D-Sub 9 poles female</li><li>- PROFIBUS cable Interface M12 B-code male and female, Pin 1 = +5V, Pin 2 = Line A, Pin 3 = GND (0V), Pin 4 = Line B</li><li>- Shielded Profibus M12-Cable assemblies: B-Coded, only Pin 2 and 4 connected, shield transfer only via shell (e.g. 0975 254 10x/... M)</li><li>- Mechanical lifetime 200 Mating cycles</li><li>- D-Sub locking screw: Knurled screw UNC 4-40</li><li>- Bus termination resistors activated via external switch or via external terminator on Bus-Out-Connector (e.g. 0979 PTX 101)</li></ul>
<b>Classification</b>	
<b>Belden brand</b>	Lumberg-Automation
<b>Environmental conditions</b>	
<b>Environmental temperature</b>	-20 °C ... 70 °C
<b>Environmental temperature (explanation)</b>	Permissible humidity: Max. 75 % at +25°C, non-condensing
<b>Degree of protection (IP), mounted</b>	IP30
<b>Mechanical data</b>	
<b>Thread</b>	M12
<b>Coding of the M12 round plug connector</b>	B
<b>Dimensions (W x H x D)</b>	67.7 mm x 45 mm x 16.8 mm
<b>Width</b>	67.7 mm
<b>Height</b>	45 mm
<b>Depth</b>	16.8 mm
<b>Materials</b>	
<b>Housing material / Molded body</b>	Zn alloy
<b>Electrical data</b>	
<b>Data rate</b>	12 MBit/s
<b>Approvals</b>	
<b>Approvals</b>	RoHS 2002/95/EG

The information published has been compiled as carefully as possible. It is subject to alteration without notice in technical as well as in price related/commercial respect.



Picture  
Drawing



The information published has been compiled as carefully as possible. It is subject to alteration without notice in technical as well as in price related/commercial respect.