




Product information

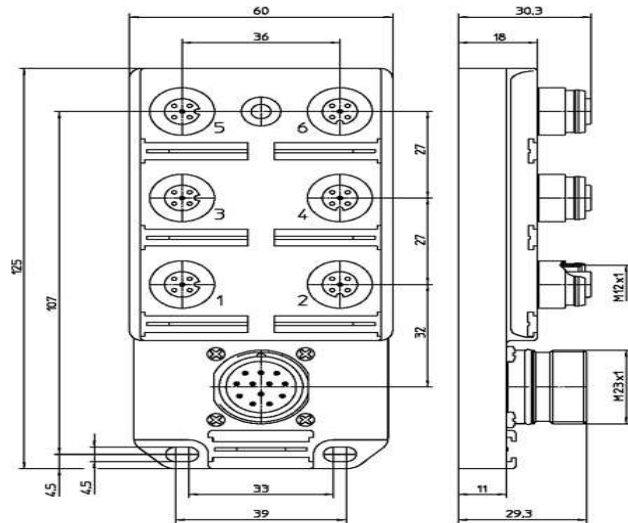
ASBS 6 5-4

11127

Name		ASBS 6 5-4
		
		Pluggable actuator/sensor distribution box, 6 port version, combined FIXCOM/M12 socket, 4-pole, 1 signal per socket, earth connection, M23 connection for the control cable.
Delivery informations		
Availability	available	
Product description		
Type	ASBS 6 5-4	
Order No.	11127	
Description	Pluggable actuator/sensor distribution box, 6 port version, combined FIXCOM/M12 socket, 4-pole, 1 signal per socket, earth connection, M23 connection for the control cable.	
Number of contacts	4 (M12)	
Version	6 ports	
Color of housing	orange	
Product characteristics	Vibration resistance, Oil resistance	
Classification		
Belden brand	Lumberg-Automation	
Mechanical data		
Thread	M12	
LED display present	✘	
Environmental conditions		
Environmental temperature	-15 °C ... 80 °C	
Degree of protection (IP), mounted	IP67	
Pollution degree	3	
Materials		
Housing material / Molded body	TPU, self-extinguishing	
Contact bearer material	PA-GF, self-extinguishing	
Contact material	CuZn	
Contact material - Surface refinement	pre-nickel and 0.8 microns gold-plated	
Knurled screw / nut material	CuZn, nickel-plated	
Sealing material	FKM	
Electrical data		
Contact resistance	≤ 5 mΩ	
Rated current In	4 A per socket / 12 A max. at 40°C	
Nominal voltage	60 V	
Rated voltage	63 V	
Test voltage	1.0 kV eff./60 s	
Insulation resistance	> 1 GΩ	
Approvals		
Approvals	cURus	
Scope of delivery and accessories		
Scope of delivery	ZVK: 2 dust covers for unused sockets ZBS: 10 attachable labels	

The information published has been compiled as carefully as possible. It is subject to alteration without notice in technical as well as in price related/commercial respect.

Picture
Drawing



The information published has been compiled as carefully as possible. It is subject to alteration without notice in technical as well as in price related/commercial respect.