



Product information

ASBSV 4 5

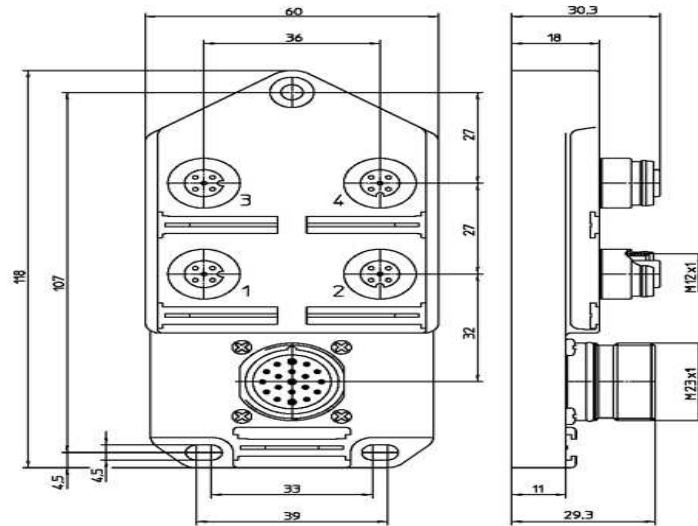
11133

Name		ASBSV 4 5
		
		Pluggable actuator/sensor distribution box, 4 port version, combined FIXCOM/M12 socket, 5-pole, 2 signals per socket, earth connection, M23 connection for the control cable.
Delivery informations		
Availability	available	
Product description		
Type	ASBSV 4 5	
Order No.	11133	
Description	Pluggable actuator/sensor distribution box, 4 port version, combined FIXCOM/M12 socket, 5-pole, 2 signals per socket, earth connection, M23 connection for the control cable.	
Number of contacts	5 (M12)	
Version	4 ports	
Color of housing	orange	
Product characteristics	Vibration resistance, Oil resistance	
Classification		
Belden brand	Lumberg-Automation	
Mechanical data		
Thread	M12	
LED display present	✘	
Environmental conditions		
Environmental temperature	-15 °C ... 80 °C	
Degree of protection (IP), mounted	IP67	
Pollution degree	3	
Materials		
Housing material / Molded body	TPU, self-extinguishing	
Contact bearer material	PA-GF, self-extinguishing	
Contact material	CuZn	
Contact material - Surface refinement	pre-nickel and 0.8 microns gold-plated	
Knurled screw / nut material	CuZn, nickel-plated	
Sealing material	FKM	
Electrical data		
Contact resistance	≤ 5 mΩ	
Rated current In	4 A per socket / 10 A max. at 40°C	
Nominal voltage	60 V	
Rated voltage	63 V	
Test voltage	1.0 kV eff./60 s	
Insulation resistance	> 1 GΩ	
Approvals		
Approvals	cURus	
Scope of delivery and accessories		
Scope of delivery	ZVK: 2 dust covers for unused sockets ZBS: 10 attachable labels	

The information published has been compiled as carefully as possible. It is subject to alteration without notice in technical as well as in price related/commercial respect.



Picture
Drawing



The information published has been compiled as carefully as possible. It is subject to alteration without notice in technical as well as in price related/commercial respect.