




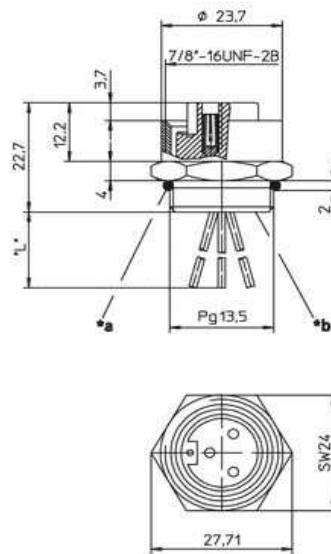
**Product information**  
**RKF - RKF 30/13,5-01**  
**11264**

Name		RKF
		
		Receptacle connector, 7/8" female connector, for front mounting, assembled stranded wire, solder contacts potted with epoxy, 3 poles (2+PE), chassis side thread PG 13,5 (panel nut RSKF 13,5), O-ring enclosed separately.
<b>Delivery informations</b>		
Availability	available	
<b>Product description</b>		
Type	RKF 30/13,5-01	
Order No.	11264	
Description	Receptacle connector, 7/8" female connector, for front mounting, assembled stranded wire, solder contacts potted with epoxy, 3 poles (2+PE), chassis side thread PG 13,5 (panel nut RSKF 13,5), O-ring enclosed separately.	
Number of contacts	3	
Product characteristics	Oil resistance	
<b>Mechanical data</b>		
Type of plug-in contact	Female connector	
Thread	7/8"	
Design of electrical connection	connector 7/8 inch	
LED display present	✘	
<b>Environmental conditions</b>		
Environmental temperature	-25 °C ... 90 °C	
Degree of protection (IP), mounted	IP68	
Pollution degree	3	
<b>Materials</b>		
Housing material / Molded body	CuZn, nickel-plated	
Contact bearer material	TPU, self-extinguishing	
Contact material	CuZn	
Contact material - Surface refinement	silver-plated and 0.3 microns gold-plated	
Sealing material	Neoprene	
<b>Electrical data</b>		
Contact resistance	≤ 5 mΩ	
Rated current In	at 40°C, UL and notice derating	
Nominal voltage	240 V	
Rated voltage	250 V	
Insulation resistance	> 1 GΩ	
<b>Approvals</b>		
Approvals	UL listed	
RoHS 2002/95/EG compliant	RoHS 2002/95/EG	
<b>Scope of delivery and accessories</b>		
Scope of delivery	O-ring enclosed separately	

The information published has been compiled as carefully as possible. It is subject to alteration without notice in technical as well as in price related/commercial respect.



Picture  
Drawing



- \*a O-Ring lose beigestellt  
O-ring enclosed separately
- \*b Leiteranschlussbereich vergossen  
solder contacts potted with epoxy
- "L" 0,3 m