




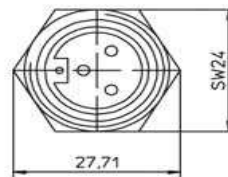
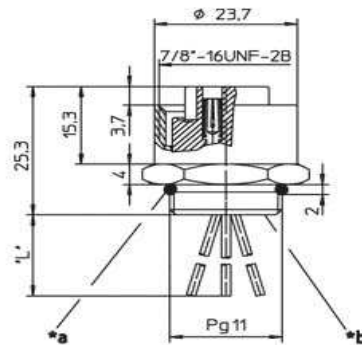
**Product information**  
**RKF - RKF 40/11-02**  
**11268**

<b>Name</b>	
RKF	
	
Receptacle connector, 7/8" female connector, for front mounting, assembled stranded wire, solder contacts potted with epoxy, 4 poles, chassis side thread PG 11 (panel nut RSKF 11), O-ring enclosed separately.	
<b>Delivery informations</b>	
<b>Availability</b>	available
<b>Product description</b>	
<b>Type</b>	RKF 40/11-02
<b>Order No.</b>	11268
<b>Description</b>	Receptacle connector, 7/8" female connector, for front mounting, assembled stranded wire, solder contacts potted with epoxy, 4 poles, chassis side thread PG 11 (panel nut RSKF 11), O-ring enclosed separately.
<b>Number of contacts</b>	4
<b>Product characteristics</b>	Oil resistance
<b>Mechanical data</b>	
<b>Type of plug-in contact</b>	Female connector
<b>Thread</b>	7/8"
<b>Design of electrical connection</b>	connector 7/8 inch
<b>LED display present</b>	✘
<b>Environmental conditions</b>	
<b>Environmental temperature</b>	-25 °C ... 90 °C
<b>Degree of protection (IP), mounted</b>	IP68
<b>Pollution degree</b>	3
<b>Materials</b>	
<b>Housing material / Molded body</b>	CuZn, nickel-plated
<b>Contact bearer material</b>	TPU, self-extinguishing
<b>Contact material</b>	CuZn
<b>Contact material - Surface refinement</b>	silver-plated and 0.3 microns gold-plated
<b>Sealing material</b>	Neoprene
<b>Electrical data</b>	
<b>Contact resistance</b>	≤ 5 mΩ
<b>Rated current In</b>	9 A at 40°C, UL and notice derating
<b>Nominal voltage</b>	240 V
<b>Rated voltage</b>	250 V
<b>Test voltage</b>	2.5 kV eff./60 s
<b>Insulation resistance</b>	> 1 GΩ
<b>Approvals</b>	
<b>Approvals</b>	UL listed
<b>RoHS 2002/95/EG compliant</b>	RoHS 2002/95/EG
<b>Scope of delivery and accessories</b>	
<b>Scope of delivery</b>	O-ring enclosed separately

The information published has been compiled as carefully as possible. It is subject to alteration without notice in technical as well as in price related/commercial respect.



Picture  
Drawing



- \*a O-Ring lose beigestellt  
O-ring enclosed separately
  - \*b Leiteranschlussbereich vergossen  
solder contacts potted with epoxy
- "L" 0,3 m