




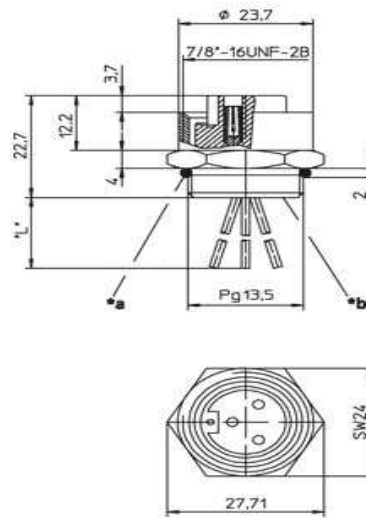
**Product information**  
**RKF - RKF 40/13,5-02**  
**11269**

Name	
	RKF
	
	Receptacle connector, 7/8" female connector, for front mounting, assembled stranded wire, solder contacts potted with epoxy, 4 poles, chassis side thread PG 13,5 (panel nut RSKF 13,5), O-ring enclosed separately.
<b>Delivery informations</b>	
Availability	available
<b>Product description</b>	
Type	RKF 40/13,5-02
Order No.	11269
Description	Receptacle connector, 7/8" female connector, for front mounting, assembled stranded wire, solder contacts potted with epoxy, 4 poles, chassis side thread PG 13,5 (panel nut RSKF 13,5), O-ring enclosed separately.
Number of contacts	4
Product characteristics	Oil resistance
<b>Mechanical data</b>	
Type of plug-in contact	Female connector
Thread	7/8"
Design of electrical connection	connector 7/8 inch
LED display present	✘
<b>Environmental conditions</b>	
Environmental temperature	-25 °C ... 90 °C
Degree of protection (IP), mounted	IP68
Pollution degree	3
<b>Materials</b>	
Housing material / Molded body	CuZn, nickel-plated
Contact bearer material	TPU, self-extinguishing
Contact material	CuZn
Contact material - Surface refinement	silver-plated and 0.3 microns gold-plated
Sealing material	Neoprene
<b>Electrical data</b>	
Contact resistance	≤ 5 mΩ
Rated current In	9 A at 40°C, UL and notice derating
Nominal voltage	240 V
Rated voltage	250 V
Test voltage	2.5 kV eff./60 s
Insulation resistance	> 1 GΩ
<b>Approvals</b>	
Approvals	UL listed
RoHS 2002/95/EG compliant	RoHS 2002/95/EG
<b>Scope of delivery and accessories</b>	
Scope of delivery	O-ring enclosed separately

The information published has been compiled as carefully as possible. It is subject to alteration without notice in technical as well as in price related/commercial respect.



Picture  
Drawing



- \*a O-Ring lose beigestellt  
O-ring enclosed separately
  - \*b Leiteranschlussbereich vergossen  
solder contacts potted with epoxy
- "L" 0,3 m