



**Product information**  
**RKMWV/LED - RKMWV/LED A 3-06/5 M**  
**11337**

<b>Name</b>	RKMWV/LED
	
	Cordsets, single-ended, for actuator/sensors and distribution boxes, M8 female connector, angled, with self-locking threaded joint and molded cable, LED operation and function indicator (pnp), 3 poles, PVC jacket, orange, 5 meters.
<b>Delivery informations</b>	
<b>Availability</b>	available
<b>Product description</b>	
<b>Type</b>	RKMWV/LED A 3-06/5 M
<b>Order No.</b>	11337
<b>Description</b>	Cordsets, single-ended, for actuator/sensors and distribution boxes, M8 female connector, angled, with self-locking threaded joint and molded cable, LED operation and function indicator (pnp), 3 poles, PVC jacket, orange, 5 meters.
<b>Note</b>	The application of these products in harsh environments should always be checked before use.
<b>Number of contacts</b>	3
<b>Color of housing</b>	black translucent
<b>Product characteristics</b>	Vibration resistance
<b>Classification</b>	
<b>Belden brand</b>	Lumberg-Automation
<b>Mechanical data</b>	
<b>Type of plug-in contact</b>	Female connector
<b>Design of housing</b>	angled
<b>Thread</b>	M8
<b>Design of electrical connection</b>	connector M8
<b>LED display present</b>	✔
<b>Environmental conditions</b>	
<b>Environmental temperature</b>	-40 °C ... 90 °C
<b>Degree of protection (IP), mounted</b>	IP67 / IP69K
<b>Pollution degree</b>	3
<b>Materials</b>	
<b>Housing material / Molded body</b>	TPU
<b>Contact bearer material</b>	PA/TPU
<b>Contact material</b>	CuZn
<b>Contact material - Surface refinement</b>	pre-nickel- and 0.8 microns gold-plated
<b>Knurled screw / nut material</b>	CuZn, nickel-plated
<b>Sealing material</b>	FKM
<b>Electrical data</b>	
<b>Contact resistance</b>	≤ 5 mΩ
<b>Rated current I<sub>n</sub></b>	4 A at 40°C
<b>Nominal voltage</b>	10 - 30 V DC
<b>Rated voltage</b>	32 V
<b>Insulation resistance</b>	> 1 GΩ
<b>Approvals</b>	
<b>Approvals</b>	UL
<b>Cable</b>	
<b>Cable length</b>	5 m
<b>Cable number</b>	06

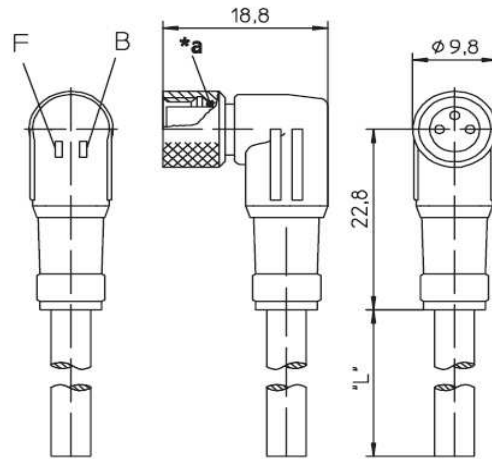
The information published has been compiled as carefully as possible. It is subject to alteration without notice in technical as well as in price related/commercial respect.



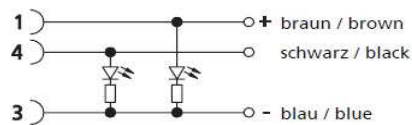
<b>Cable description</b>	Sensor connecting cable
<b>Color of jacket</b>	orange
<b>Material of outer jacket</b>	PVC
<b>Without halogens as in EN 50267-2-3</b>	✗
<b>shielded</b>	✗
<b>welding spark proof</b>	✗
<b>Outer diameter of the cable</b>	5.0 mm
<b>Number of conductors</b>	3
<b>Cable design</b>	3 x 0.34 mm <sup>2</sup>
<b>Conductor design</b>	42 x 0.10 mm
<b>Flame resistant according to standard</b>	none

**Picture**

**Drawing**



**A** pnp-Schließer /  
pnp Normally open =  
gelb-grün / yellow-green



**3-polig**  
**3 poles**



1 = braun / brown  
3 = blau / blue  
4 = schwarz / black