




Product information
RS - RS 30-01/2 M
11568

Name	
Name	RS
	
	Actuator/sensor cordset, 7/8" male connector, straight version, with self-locking threaded joint and molded cable, PVC cable, orange, 3 poles, 2 meters.
Delivery informations	
Availability	available
Product description	
Type	RS 30-01/2 M
Order No.	11568
Description	Actuator/sensor cordset, 7/8" male connector, straight version, with self-locking threaded joint and molded cable, PVC cable, orange, 3 poles, 2 meters.
Number of contacts	3
Color of housing	orange
Product characteristics	Vibration resistance, Oil resistance
Mechanical data	
Type of plug-in contact	Male connector
Design of housing	straight
Thread	7/8"
Design of electrical connection	connector 7/8 inch
LED display present	✘
Environmental conditions	
Environmental temperature	-40 °C ... 90 °C
Degree of protection (IP), mounted	IP68
Pollution degree	3
Materials	
Housing material / Molded body	TPU, self-extinguishing
Contact bearer material	TPU, self-extinguishing
Contact material	CuZn
Contact material - Surface refinement	silver-plated and 0.3 microns gold-plated
Knurled screw / nut material	PA
Electrical data	
Contact resistance	≤ 5 mΩ
Rated current In	12 A at 40°C, UL and notice derating
Nominal voltage	240 V
Rated voltage	250 V
Test voltage	2 kV eff./60 s
Insulation resistance	> 1 GΩ
Approvals	
RoHS 2002/95/EG compliant	RoHS 2002/95/EG
Cable	
Cable length	2 m
Cable number	01
Cable description	Cable for sensors and actuators
Color of jacket	orange
Material of outer jacket	PVC
Outer diameter of the cable	7.20 mm
Nominal diameter of the cable	3 x 0.75 mm ²
Construction of conductor	22 x 0.2 mm

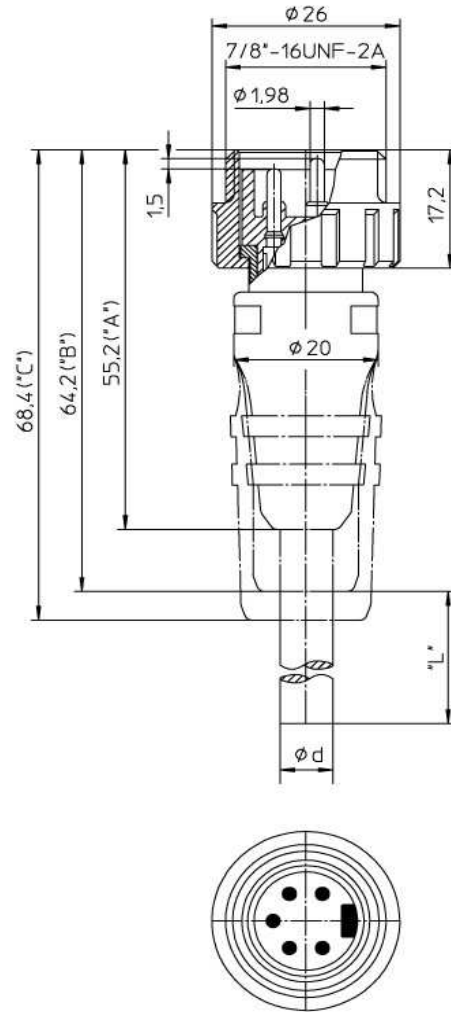
The information published has been compiled as carefully as possible. It is subject to alteration without notice in technical as well as in price related/commercial respect.



Flame resistant according to standard | none

Picture

Drawing



The information published has been compiled as carefully as possible. It is subject to alteration without notice in technical as well as in price related/commercial respect.