




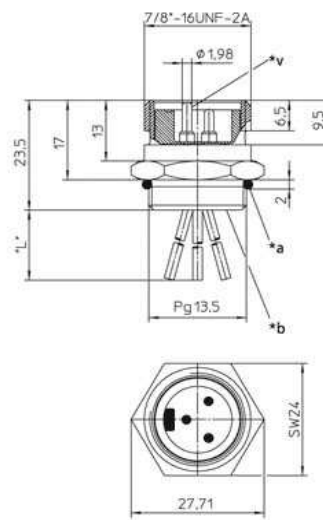
Product information
RSF - RSF 20/13,5-03
11618

Name	
	RSF
	
	Receptacle connector, 7/8" male connector, for front mounting, assembled stranded wire, solder contacts potted with epoxy, 2 poles, chassis side thread PG 13,5 (panel nut RSKF 13,5), O-ring enclosed separately.
Delivery informations	
Availability	available
Product description	
Type	RSF 20/13,5-03
Order No.	11618
Description	Receptacle connector, 7/8" male connector, for front mounting, assembled stranded wire, solder contacts potted with epoxy, 2 poles, chassis side thread PG 13,5 (panel nut RSKF 13,5), O-ring enclosed separately.
Number of contacts	2
Product characteristics	Oil resistance
Mechanical data	
Type of plug-in contact	Male connector
Thread	7/8"
Design of electrical connection	connector 7/8 inch
LED display present	✘
Environmental conditions	
Environmental temperature	-25 °C ... 90 °C
Degree of protection (IP), mounted	IP68
Pollution degree	3
Materials	
Housing material / Molded body	CuZn, nickel-plated
Contact bearer material	TPU, self-extinguishing
Contact material	CuZn
Contact material - Surface refinement	silver-plated and 0.3 microns gold-plated
Sealing material	Neoprene
Electrical data	
Contact resistance	≤ 5 mΩ
Rated current In	12 A at 40°C, UL and notice derating
Nominal voltage	240 V
Rated voltage	250 V
Test voltage	2.5 kV eff./60 s
Insulation resistance	> 1 GΩ
Approvals	
Approvals	UL listed
RoHS 2002/95/EG compliant	RoHS 2002/95/EG
Scope of delivery and accessories	
Scope of delivery	O-ring enclosed separately

The information published has been compiled as carefully as possible. It is subject to alteration without notice in technical as well as in price related/commercial respect.



Picture
Drawing



- *a O-Ring lose beigestellt
O-ring enclosed separately
- *b Leiteranschlussbereich vergossen
solder contacts potted with epoxy
- *V Mittelkontakt voreilend
center contact leading
- "L" 0,3 m