




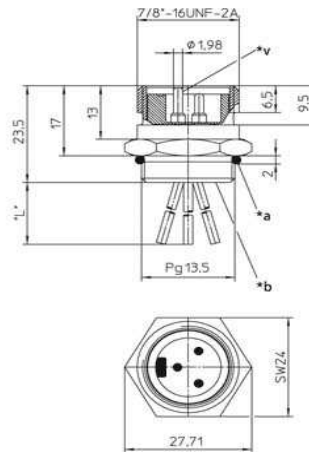
Product information
RSF - RSF 30/13,5-05
11625

Name		RSF
		
		Receptacle connector, 7/8" male connector, for front mounting, assembled stranded wire, solder contacts potted with epoxy, 3 poles, chassis side thread PG 13,5 (panel nut RSKF 13,5), O-ring enclosed separately.
Delivery informations		
Availability	available	
Product description		
Type	RSF 30/13,5-05	
Order No.	11625	
Description	Receptacle connector, 7/8" male connector, for front mounting, assembled stranded wire, solder contacts potted with epoxy, 3 poles, chassis side thread PG 13,5 (panel nut RSKF 13,5), O-ring enclosed separately.	
Number of contacts	3	
Product characteristics	Oil resistance	
Mechanical data		
Type of plug-in contact	Male connector	
Thread	7/8"	
Design of electrical connection	connector 7/8 inch	
LED display present	✘	
Environmental conditions		
Environmental temperature	-25 °C ... 90 °C	
Degree of protection (IP), mounted	IP68	
Pollution degree	3	
Materials		
Housing material / Molded body	CuZn, nickel-plated	
Contact bearer material	TPU, self-extinguishing	
Contact material	CuZn	
Contact material - Surface refinement	silver-plated and 0.3 microns gold-plated	
Sealing material	Neoprene	
Electrical data		
Contact resistance	≤ 5 mΩ	
Rated current In	12 A at 40°C, UL and notice derating	
Nominal voltage	240 V	
Rated voltage	250 V	
Test voltage	2.5 kV eff./60 s	
Insulation resistance	> 1 GΩ	
Approvals		
Approvals	UL listed	
RoHS 2002/95/EG compliant	RoHS 2002/95/EG	
Scope of delivery and accessories		
Scope of delivery	O-ring enclosed separately	

The information published has been compiled as carefully as possible. It is subject to alteration without notice in technical as well as in price related/commercial respect.



Picture
Drawing



- *a O-Ring lose beigestellt
O-ring enclosed separately
- *b Leiteranschlussbereich vergossen
solder contacts potted with epoxy
- *v Mittelkontakt voreilend
center contact leading
- "L" 0,3 m

The information published has been compiled as carefully as possible. It is subject to alteration without notice in technical as well as in price related/commercial respect.