

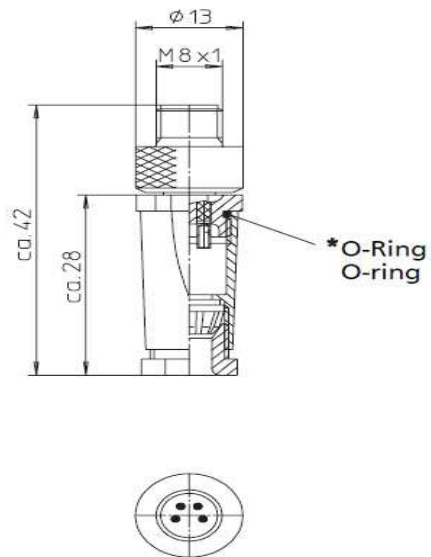


**Product information**  
**RSMC 4**  
**11653**

<b>Name</b>	
	RSMC 4
	
	Field attachable connector, M8 male connector with threaded joint, assembling with solder connections, 4 poles
<b>Delivery informations</b>	
<b>Availability</b>	available
<b>Product description</b>	
<b>Type</b>	RSMC 4
<b>Order No.</b>	11653
<b>Description</b>	Field attachable connector, M8 male connector with threaded joint, assembling with solder connections, 4 poles
<b>Note</b>	The application of these products in harsh environments should always be checked before use.
<b>Number of contacts</b>	4
<b>Color of housing</b>	chromium
<b>Product characteristics</b>	Oil resistance
<b>Classification</b>	
<b>Belden brand</b>	Lumberg-Automation
<b>Mechanical data</b>	
<b>Type of plug-in contact</b>	Male connector
<b>Design of housing</b>	straight
<b>Thread</b>	M8
<b>Design of electrical connection</b>	solder connection
<b>Connectable conductor cross-section multiple wire (without sleeve)</b>	max. 0.34 mm <sup>2</sup>
<b>LED display present</b>	✘
<b>Environmental conditions</b>	
<b>Environmental temperature</b>	-25 °C ... 80 °C
<b>Degree of protection (IP), mounted</b>	IP67
<b>Pollution degree</b>	3
<b>Materials</b>	
<b>Housing material / Molded body</b>	CuZn, nickel-plated
<b>Contact bearer material</b>	PA
<b>Contact material</b>	CuZn
<b>Contact material - Surface refinement</b>	pre-nickel and 0.8 microns gold-plated
<b>Knurled screw / nut material</b>	CuZn, nickel-plated
<b>Electrical data</b>	
<b>Contact resistance</b>	≤ 5 mΩ
<b>Rated current I<sub>n</sub></b>	4 A at 40°C
<b>Nominal voltage</b>	30 V
<b>Rated voltage</b>	36 V
<b>Test voltage</b>	0.8 kV eff./60 s
<b>Insulation resistance</b>	> 1 GΩ

The information published has been compiled as carefully as possible. It is subject to alteration without notice in technical as well as in price related/commercial respect.

Picture  
Drawing



**4-polig**  
**4 poles**

