



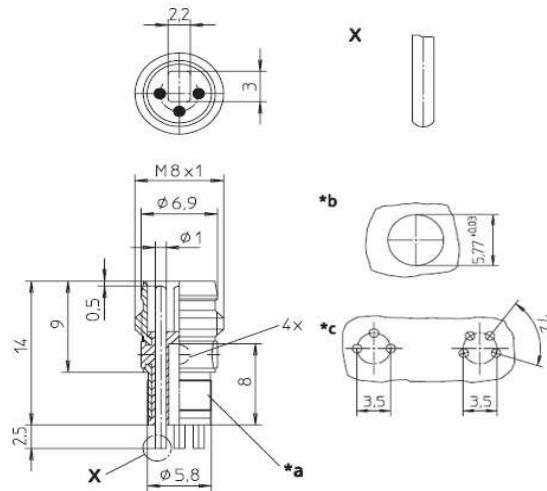
Product information
RSMEB 4
11656

Name	
RSMEB 4	
	
<p>Receptacle connector, M8 male connector for sensors with combined snap-in/threaded joint, 4 light indicator windows, mounting hole for LED, short solder contacts, solid contacts on solder side, 4 poles</p>	
Delivery informations	
Availability	available
Product description	
Type	RSMEB 4
Order No.	11656
Description	Receptacle connector, M8 male connector for sensors with combined snap-in/threaded joint, 4 light indicator windows, mounting hole for LED, short solder contacts, solid contacts on solder side, 4 poles
Note	The application of these products in harsh environments should always be checked before use.
Number of contacts	4
Color of housing	chromium
Product characteristics	Oil resistance
Classification	
Belden brand	Lumberg-Automation
Mechanical data	
Type of plug-in contact	Male connector
Design of housing	straight
Thread	M8
Design of electrical connection	solder connection
Connectable conductor cross-section multiple wire (without sleeve)	max. 0.25 mm ²
LED display present	✘
Environmental conditions	
Environmental temperature	-25 °C ... 80 °C
Pollution degree	3
Materials	
Housing material / Molded body	CuZn, nickel-plated
Contact bearer material	PA
Contact material	CuZn
Contact material - Surface refinement	pre-nickeled and 0.8 microns gold-plated
Electrical data	
Contact resistance	≤ 5 mΩ
Rated current I _n	4 A at 40°C
Nominal voltage	60 V
Rated voltage	63 V
Test voltage	1.5 kV eff./60 s
Insulation resistance	> 1 GΩ
Approvals	
Approvals	UL

The information published has been compiled as carefully as possible. It is subject to alteration without notice in technical as well as in price related/commercial respect.



Picture
Drawing



4-polig
4 poles



*X massiv
solid

*b Einbauöffnung
cut out

*c Lochbild in der Leiterplatte
hole pattern in printed circuit board