




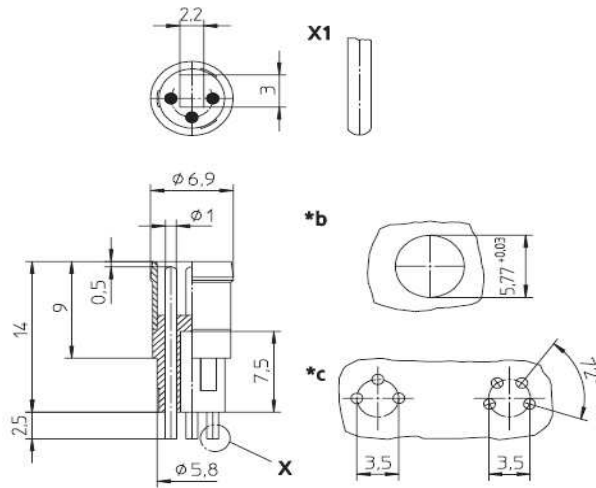
Product information
RSMEH 3
11663

Name		RSMEH 3
		
		Receptacle connector, M8 male connector for sensors with snap-in joint, translucent ring, short solder contacts, solid contacts on solder side, 3 poles
Delivery informations		
Availability	available	
Product description		
Type	RSMEH 3	
Order No.	11663	
Description	Receptacle connector, M8 male connector for sensors with snap-in joint, translucent ring, short solder contacts, solid contacts on solder side, 3 poles	
Note	The application of these products in harsh environments should always be checked before use.	
Number of contacts	3	
Color of housing	chromium	
Product characteristics	Oil resistance	
Classification		
Belden brand	Lumberg-Automation	
Mechanical data		
Type of plug-in contact	Male connector	
Design of housing	straight	
Thread	M8	
Design of electrical connection	solder connection	
Connectable conductor cross-section multiple wire (without sleeve)	max. 0.25 mm ²	
LED display present	✘	
Environmental conditions		
Environmental temperature	-25 °C ... 80 °C	
Pollution degree	3	
Materials		
Housing material / Molded body	CuZn, nickel-plated	
Contact bearer material	PA	
Contact material	CuZn	
Contact material - Surface refinement	pre-nickeled and 0.8 microns gold-plated	
Electrical data		
Contact resistance	≤ 5 mΩ	
Rated current I _n	4 A at 40°C	
Nominal voltage	60 V	
Rated voltage	63 V	
Test voltage	1.5 kV eff./60 s	
Insulation resistance	> 1 GΩ	

The information published has been compiled as carefully as possible. It is subject to alteration without notice in technical as well as in price related/commercial respect.



Picture
Drawing



3-polig
3 poles



*X1 massiv
solid

*b Einbauöffnung
cut out

*c Lochbild in der Leiterplatte
hole pattern in printed circuit board