




Product information
RSMV - RSMV 4-07/2 M
11713

Name	
Name	RSMV
	
	Cordsets, single-ended, for actuator/sensors and distribution boxes, M8 male connector, straight, with self-locking threaded joint and molded cable, 4 poles, PVC jacket, orange, 2 meters.
Delivery informations	
Availability	available
Product description	
Type	RSMV 4-07/2 M
Order No.	11713
Description	Cordsets, single-ended, for actuator/sensors and distribution boxes, M8 male connector, straight, with self-locking threaded joint and molded cable, 4 poles, PVC jacket, orange, 2 meters.
Note	The application of these products in harsh environments should always be checked before use.
Number of contacts	4
Color of housing	black translucent
Product characteristics	Vibration resistance
Classification	
Belden brand	Lumberg-Automation
Mechanical data	
Type of plug-in contact	Male connector
Design of housing	straight
Thread	M8
Design of electrical connection	connector M8
LED display present	✘
Environmental conditions	
Environmental temperature	-40 °C ... 90 °C
Degree of protection (IP), mounted	IP67
Pollution degree	3
Materials	
Housing material / Molded body	TPU
Contact bearer material	PA/TPU
Contact material	CuZn
Contact material - Surface refinement	pre-nickeled and 0.8 microns gold-plated
Knurled screw / nut material	CuZn, nickel-plated
Electrical data	
Contact resistance	≤ 5 mΩ
Rated current I _n	4 A at 40°C
Nominal voltage	30 V
Rated voltage	36 V
Test voltage	0.8 kV eff./60 s
Insulation resistance	> 1 GΩ
Approvals	
Approvals	UL
Cable	
Cable length	2 m
Cable number	07
Cable description	Sensor connecting cable

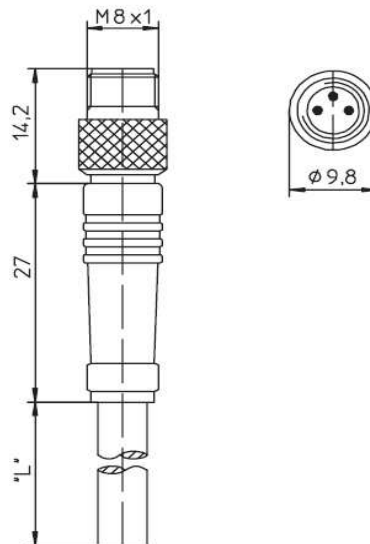
The information published has been compiled as carefully as possible. It is subject to alteration without notice in technical as well as in price related/commercial respect.



Color of jacket	orange
Material of outer jacket	PVC
Without halogens as in EN 50267-2-3	✗
shielded	✗
welding spark proof	✗
Outer diameter of the cable	5.0 mm
Number of conductors	4
Cable design	4 x 0.25 mm ²
Conductor design	32 x 0.10 mm
Flame resistant according to standard	none

Picture

Drawing



**4-polig
4 poles**



- 1 = braun / brown
- 2 = weiß / white
- 3 = blau / blue
- 4 = schwarz / black