




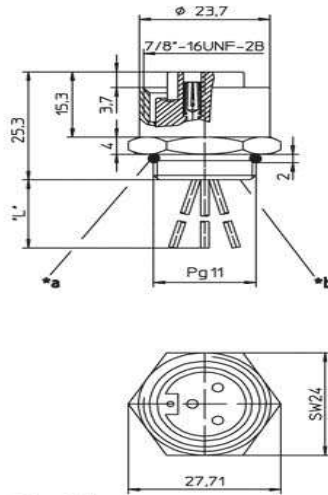
Product information
RKF - RKF 30/11-01
12889

Name		RKF
		
	Receptacle connector, 7/8" female connector, for front mounting, assembled stranded wire, solder contacts potted with epoxy, 3 poles (2+PE), chassis side thread PG 11 (panel nut RSKF 11), O-ring enclosed separately.	
Delivery informations		
Availability	available	
Product description		
Type	RKF 30/11-01	
Order No.	12889	
Description	Receptacle connector, 7/8" female connector, for front mounting, assembled stranded wire, solder contacts potted with epoxy, 3 poles (2+PE), chassis side thread PG 11 (panel nut RSKF 11), O-ring enclosed separately.	
Number of contacts	3	
Product characteristics	Oil resistance	
Mechanical data		
Type of plug-in contact	Female connector	
Thread	7/8"	
Design of electrical connection	connector 7/8 inch	
LED display present	✘	
Environmental conditions		
Environmental temperature	-25 °C ... 90 °C	
Degree of protection (IP), mounted	IP68	
Pollution degree	3	
Materials		
Housing material / Molded body	CuZn, nickel-plated	
Contact bearer material	TPU, self-extinguishing	
Contact material	CuZn	
Contact material - Surface refinement	silver-plated and 0.3 microns gold-plated	
Sealing material	Neoprene	
Electrical data		
Contact resistance	≤ 5 mΩ	
Rated current In	at 40°C, UL and notice derating	
Nominal voltage	240 V	
Rated voltage	250 V	
Insulation resistance	> 1 GΩ	
Approvals		
Approvals	UL listed	
RoHS 2002/95/EG compliant	RoHS 2002/95/EG	
Scope of delivery and accessories		
Scope of delivery	O-ring enclosed separately	

The information published has been compiled as carefully as possible. It is subject to alteration without notice in technical as well as in price related/commercial respect.



Picture
Drawing



- *a O-Ring lose beigestellt
O-ring enclosed separately
 - *b Leiteranschlussbereich vergossen
solder contacts potted with epoxy
- "L" 0,3 m