




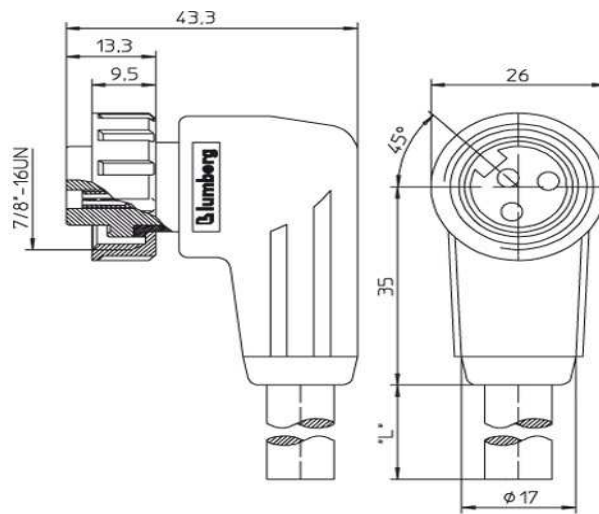
**Product information**  
**RKW - RKW 50-04/5 M**  
**13765**

Name		RKW
		
		Actuator/sensor cordset, 7/8" female connector, right angle version, with self-locking threaded joint and molded cable, PVC cable, orange, 5 poles, 5 meters.
<b>Delivery informations</b>		
Availability	available	
<b>Product description</b>		
Type	RKW 50-04/5 M	
Order No.	13765	
Description	Actuator/sensor cordset, 7/8" female connector, right angle version, with self-locking threaded joint and molded cable, PVC cable, orange, 5 poles, 5 meters.	
Number of contacts	5	
Color of housing	orange	
Product characteristics	Vibration resistance, Oil resistance	
<b>Mechanical data</b>		
Type of plug-in contact	Female connector	
Design of housing	angled	
Thread	7/8"	
Design of electrical connection	connector 7/8 inch	
LED display present	✘	
<b>Environmental conditions</b>		
Environmental temperature	-40 °C ... 90 °C	
Degree of protection (IP), mounted	IP68	
Pollution degree	3	
<b>Materials</b>		
Housing material / Molded body	TPU, self-extinguishing	
Contact bearer material	TPU, self-extinguishing	
Contact material	CuZn	
Contact material - Surface refinement	silver-plated and 0.3 microns gold-plated	
Knurled screw / nut material	PA	
<b>Electrical data</b>		
Contact resistance	≤ 5 mΩ	
Rated current In	9 A at 40°C, UL and notice derating	
Nominal voltage	240 V	
Rated voltage	250 V	
Test voltage	1.5 kV eff./60 s	
Insulation resistance	> 1 GΩ	
<b>Approvals</b>		
RoHS 2002/95/EG compliant	RoHS 2002/95/EG	
<b>Cable</b>		
Cable length	5 m	
Cable description	Cable for sensors and actuators	
Color of jacket	orange	
Material of outer jacket	PVC	
Outer diameter of the cable	6.80 mm	
Nominal diameter of the cable	5 x 0.50 mm <sup>2</sup>	
Construction of conductor	16 x 0.2 mm	
Flame resistant according to standard	none	

The information published has been compiled as carefully as possible. It is subject to alteration without notice in technical as well as in price related/commercial respect.



Picture  
Drawing



The information published has been compiled as carefully as possible. It is subject to alteration without notice in technical as well as in price related/commercial respect.