




Product information
RST-RKMW/LED - RST 3-RKMW/LED
A 3-224/1,5 M
17010

Name	
RST-RKMW/LED	
	
Cordset, double ended, for sensors and actuators, M12 male connector with self-locking threaded joint, straight, 3-poles, M8 female connector with snap-in joint, angled, 3-poles, LED operation and function indicator (pnp), PUR jacket, halogen free, black,	
Delivery informations	
Availability	available
Product description	
Type	RST 3-RKMW/LED A 3-224/1,5 M
Order No.	17010
Description	Cordset, double ended, for sensors and actuators, M12 male connector with self-locking threaded joint, straight, 3-poles, M8 female connector with snap-in joint, angled, 3-poles, LED operation and function indicator (pnp), PUR jacket, halogen free, black,
Note	The application of these products in harsh environments should always be checked before use.
Number of contacts	3
Color of housing	black translucent
Color of Housing, side 2	black translucent
Product characteristics	Vibration resistance, Drag chains, Oil resistance
Classification	
Belden brand	Lumberg-Automation
Mechanical data	
Type of plug-in contact	Male connector
Type of plug-in contact, side 2	Female connector
Design of housing	straight
Design of housing, side 2	angled
Thread	M12
Thread, side 2	M8
Design of electrical connection	connector M12
Design of electrical connection, side 2	connector M8
Coding of the M12 round plug connector	A
LED display present	✔
Environmental conditions	
Environmental temperature	-25 °C ... 80 °C
Degree of protection (IP), mounted	IP65
Pollution degree	3
Materials	
Housing material / Molded body	TPU
Housing material / Molded body, side 2	TPU
Contact bearer material	TPU
Contact bearer material, side 2	PA/TPU
Contact material	CuZn
Contact material - Surface refinement	pre-nickeled and 0.3 microns gold-plated
Contact material, side 2	CuZn
Contact material - Surface refinement, side 2	pre-nickeled and 0.3 microns gold-plated
Electrical data	
Rated current In	4 A at 40°C
Nominal voltage	10 - 30 V DC
Rated voltage	32 V

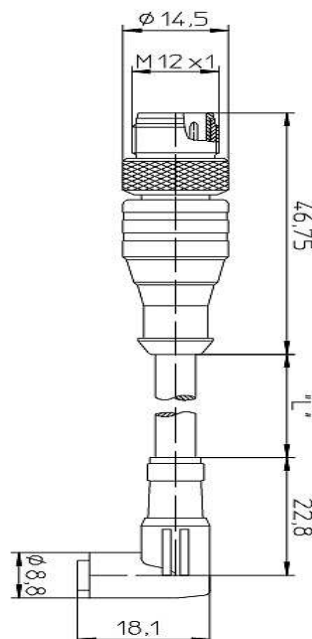
The information published has been compiled as carefully as possible. It is subject to alteration without notice in technical as well as in price related/commercial respect.



Test voltage	1.5 (nur RST) kV eff./60 s
Insulation resistance	> 1 GΩ
Approvals	
Approvals	UL
RoHS 2002/95/EG compliant	yes
Cable	
Cable length	1.5 m
Cable number	224
Cable description	Cable for sensors and actuators
Color of jacket	black
Material of outer jacket	PUR
Without halogens as in EN 50267-2-3	✓
shielded	✗
welding spark proof	✗
Outer diameter of the cable	4.3 mm
Number of conductors	3
Cable design	3 x 0.34 mm ²
Conductor design	43 x 0.10 mm
Flame resistant according to standard	yes

Picture

Drawing



The information published has been compiled as carefully as possible. It is subject to alteration without notice in technical as well as in price related/commercial respect.