




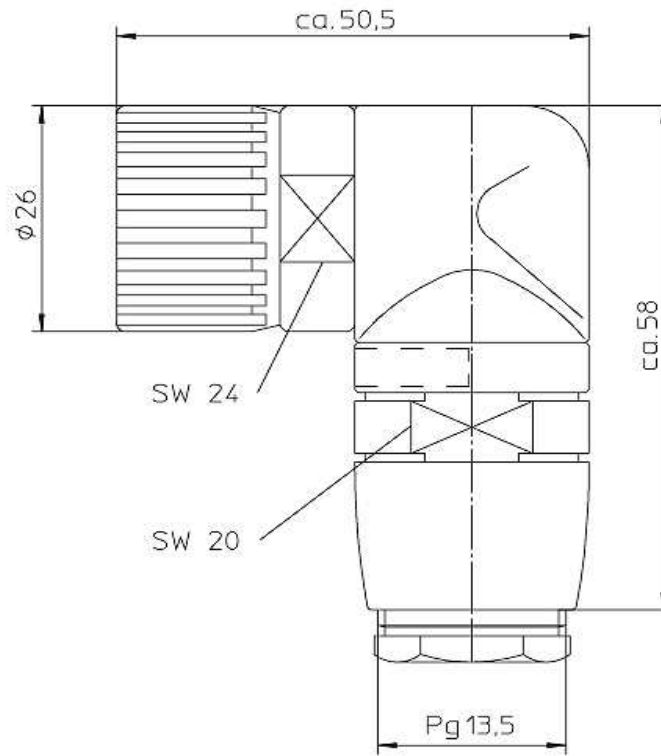
Product information
RKCW.../13,5 - RKCW 120/13,5
2072

Name	
RKCW.../13,5	
	
Field Attachable Connector, M23 female right angle connector with threaded joint, assembling with solder connections, Screw joint for cable PG 13,5; 12-poles.	
Delivery informations	
Availability	available
Product description	
Type	RKCW 120/13,5
Order No.	2072
Description	Field Attachable Connector, M23 female right angle connector with threaded joint, assembling with solder connections, Screw joint for cable PG 13,5; 12-poles.
Number of contacts	12
Product characteristics	Vibration resistance, Oil resistance, Drag chains suitable, EMC resistance, UV resistance
Mechanical data	
Type of plug-in contact	Female connector
Thread	M23
Design of electrical connection	connector M23
LED display present	✘
Environmental conditions	
Environmental temperature	-40 °C ... 125 °C
Degree of protection (IP), mounted	IP67
Pollution degree	3
Materials	
Housing material / Molded body	CuZn, nickel-plated
Contact bearer material	PBT
Contact material	CuZn
Contact material - Surface refinement	pre-nickeled and gold-plated
Knurled screw / nut material	CuZn, nickel-plated
Electrical data	
Rated current In	7.5 A
Nominal voltage	240 V
Rated voltage	250 V
Test voltage	2.5 kV eff./60 s
Insulation resistance	> 10 GΩ
Approvals	
RoHS 2002/95/EG compliant	RoHS 2002/95/EG
Cable	
Diameter of conductor	0.2 mm

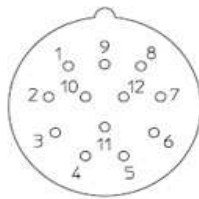
The information published has been compiled as carefully as possible. It is subject to alteration without notice in technical as well as in price related/commercial respect.



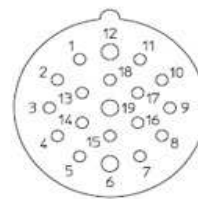
Picture
Drawing



**12-polig
12 poles**



**19-polig
19 poles**



The information published has been compiled as carefully as possible. It is subject to alteration without notice in technical as well as in price related/commercial respect.