


Product information
RSW - RSW 20-03/2 M
34637

| Name | |
|---------------------------------------|---|
| Name | RSW |
| |  |
| | Actuator/sensor cordset, 7/8" male connector, right angle version, with self-locking threaded joint and molded cable, PVC cable, orange, 2 poles, 2 meters. |
| Delivery informations | |
| Availability | available |
| Product description | |
| Type | RSW 20-03/2 M |
| Order No. | 34637 |
| Description | Actuator/sensor cordset, 7/8" male connector, right angle version, with self-locking threaded joint and molded cable, PVC cable, orange, 2 poles, 2 meters. |
| Number of contacts | 2 |
| Color of housing | orange |
| Product characteristics | Vibration resistance, Oil resistance |
| Mechanical data | |
| Type of plug-in contact | Male connector |
| Design of housing | angled |
| Thread | 7/8" |
| Design of electrical connection | connector 7/8 inch |
| LED display present | ✘ |
| Environmental conditions | |
| Environmental temperature | -40 °C ... 90 °C |
| Degree of protection (IP), mounted | IP68 |
| Pollution degree | 3 |
| Materials | |
| Housing material / Molded body | TPU, self-extinguishing |
| Contact bearer material | TPU, self-extinguishing |
| Contact material | CuZn |
| Contact material - Surface refinement | silver-plated and 0.3 microns gold-plated |
| Knurled screw / nut material | PA |
| Electrical data | |
| Contact resistance | ≤ 5 mΩ |
| Rated current In | 12 A at 40°C, UL and notice derating |
| Nominal voltage | 240 V |
| Rated voltage | 250 V |
| Test voltage | 2 kV eff./60 s |
| Insulation resistance | > 1 GΩ |
| Approvals | |
| RoHS 2002/95/EG compliant | RoHS 2002/95/EG |
| Cable | |
| Cable length | 2 m |
| Cable number | 03 |
| Cable description | Cable for sensors and actuators |
| Color of jacket | orange |
| Material of outer jacket | PVC |
| Outer diameter of the cable | 6.80 mm |
| Nominal diameter of the cable | 2 x 0.75 mm ² |
| Construction of conductor | 22 x 0.2 mm |

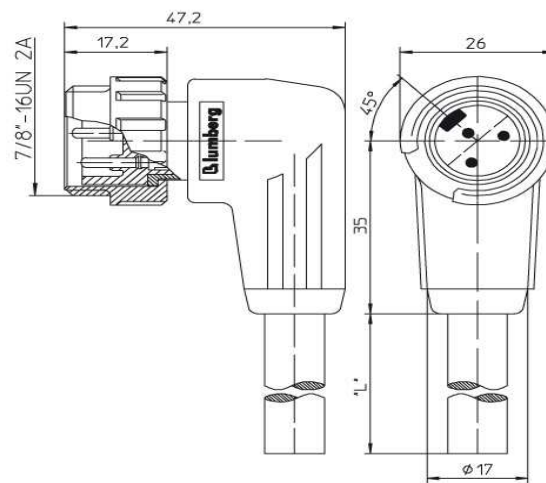
The information published has been compiled as carefully as possible. It is subject to alteration without notice in technical as well as in price related/commercial respect.



Flame resistant according to standard | none

Picture

Drawing



The information published has been compiled as carefully as possible. It is subject to alteration without notice in technical as well as in price related/commercial respect.