




Product information
RKMW - RKMW 3-224/2 M
43571

| Name | |
|---------------------------------------|--|
| Name | RKMW |
| |  |
| | Cordsets, single-ended, for actuator/sensors and distribution boxes, M8 female right angle connector, with snap-in joint and molded cable, 3 poles, PUR jacket, halogen free, black, 2 meters. |
| Delivery informations | |
| Availability | available |
| Product description | |
| Type | RKMW 3-224/2 M |
| Order No. | 43571 |
| Description | Cordsets, single-ended, for actuator/sensors and distribution boxes, M8 female right angle connector, with snap-in joint and molded cable, 3 poles, PUR jacket, halogen free, black, 2 meters. |
| Note | The application of these products in harsh environments should always be checked before use. |
| Number of contacts | 3 |
| Color of housing | black translucent |
| Product characteristics | Drag chains, Oil resistance |
| Classification | |
| Belden brand | Lumberg-Automation |
| Mechanical data | |
| Type of plug-in contact | Female connector |
| Design of housing | angled |
| Thread | M8 |
| Design of electrical connection | connector M8 |
| LED display present | ✘ |
| Environmental conditions | |
| Environmental temperature | -40 °C ... 90 °C |
| Degree of protection (IP), mounted | IP65 |
| Pollution degree | 3 |
| Materials | |
| Housing material / Molded body | TPU |
| Contact bearer material | PA/TPU |
| Contact material | CuZn |
| Contact material - Surface refinement | pre-nickeled and 0.8 microns gold-plated |
| Knurled screw / nut material | CuZn, nickel-plated |
| Electrical data | |
| Contact resistance | ≤ 5 mΩ |
| Rated current In | 4 A at 40°C |
| Nominal voltage | 60 V |
| Rated voltage | 63 V |
| Test voltage | 1.5 kV eff./60 s |
| Insulation resistance | > 1 GΩ |
| Approvals | |
| Approvals | UL |
| Cable | |
| Cable length | 2 m |
| Cable number | 224 |

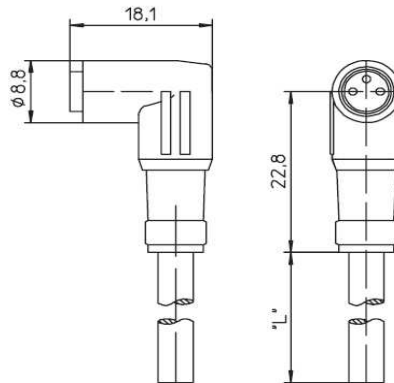
The information published has been compiled as carefully as possible. It is subject to alteration without notice in technical as well as in price related/commercial respect.



| | |
|--|---------------------------------|
| Cable description | Cable for sensors and actuators |
| Color of jacket | black |
| Material of outer jacket | PUR |
| Without halogens as in EN 50267-2-3 | ✓ |
| shielded | ✗ |
| welding spark proof | ✗ |
| Outer diameter of the cable | 4.3 mm |
| Number of conductors | 3 |
| Cable design | 3 x 0.34 mm ² |
| Conductor design | 43 x 0.10 mm |
| Flame resistant according to standard | yes |

Picture

Drawing



**3-polig
3 poles**



- 1 = braun / brown
- 3 = blau / blue
- 4 = schwarz / black