




Product information

**RSMV-RKWT - RSMV 3-RKWT 4-3-224/0,6 M
43691**

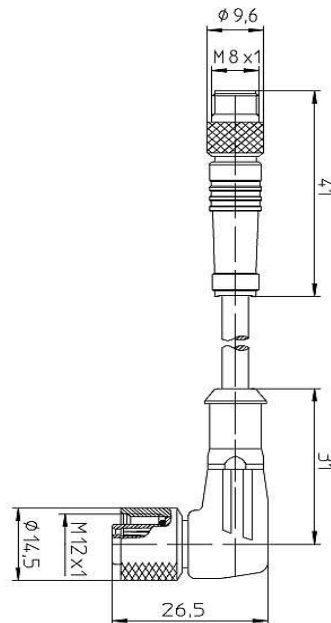
Name	
RSMV-RKWT	
	
Cordset, double ended, for sensors and actuators, M8 male connector with self-locking threaded joint, straight, 3-poles, M12 female connector with self-locking threaded joint, angled, 3-poles, PUR jacket, halogen free, black, 0.6 meters.	
Delivery informations	
Availability	available
Product description	
Type	RSMV 3-RKWT 4-3-224/0,6 M
Order No.	43691
Description	Cordset, double ended, for sensors and actuators, M8 male connector with self-locking threaded joint, straight, 3-poles, M12 female connector with self-locking threaded joint, angled, 3-poles, PUR jacket, halogen free, black, 0.6 meters.
Note	The application of these products in harsh environments should always be checked before use.
Number of contacts	3
Color of housing	black translucent
Color of Housing, side 2	black translucent
Product characteristics	Vibration resistance, Drag chains, Oil resistance
Classification	
Belden brand	Lumberg-Automation
Mechanical data	
Type of plug-in contact	Male connector
Type of plug-in contact, side 2	Female connector
Design of housing	straight
Design of housing, side 2	angled
Thread	M8
Thread, side 2	M12
Design of electrical connection	connector M8
Design of electrical connection, side 2	connector M12
Coding of the M12 round plug connector	A
LED display present	✘
Environmental conditions	
Environmental temperature	-25 °C ... 80 °C
Degree of protection (IP), mounted	IP67
Pollution degree	3
Materials	
Housing material / Molded body	TPU
Housing material / Molded body, side 2	TPU
Contact bearer material	PA/TPU
Contact bearer material, side 2	TPU
Contact material	CuZn
Contact material - Surface refinement	pre-nickeled and 0.3 microns gold-plated
Contact material, side 2	CuZn
Contact material - Surface refinement, side 2	pre-nickeled and 0.3 microns gold-plated
Knurled screw / nut material	CuZn, nickel-plated
Sealing material	FKM (Female)
Electrical data	
Rated current In	4 A at 40°C

The information published has been compiled as carefully as possible. It is subject to alteration without notice in technical as well as in price related/commercial respect.



Nominal voltage		60 V
Rated voltage		63 V
Insulation resistance		> 1 GΩ
Approvals		
Approvals		UL
RoHS 2002/95/EG compliant		yes
Cable		
Cable length		0.6 m
Cable number		224
Cable description		Cable for sensors and actuators
Color of jacket		black
Material of outer jacket		PUR
Without halogens as in EN 50267-2-3		✓
shielded		✗
welding spark proof		✗
Outer diameter of the cable		4.3 mm
Number of conductors		3
Cable design		3 x 0.34 mm ²
Conductor design		43 x 0.10 mm
Flame resistant according to standard		yes
Picture		

Drawing



The information published has been compiled as carefully as possible. It is subject to alteration without notice in technical as well as in price related/commercial respect.