




Product information
RSMV-RKWT - RSMV 3-RKWT 4-3-224/1 M
43692

Name		RSMV-RKWT
		
		Cordset, double ended, for sensors and actuators, M8 male connector with self-locking threaded joint, straight, 3-poles, M12 female connector with self-locking threaded joint, angled, 3-poles, PUR jacket, halogen free, black, 1 meters.
Delivery informations		
Availability	available	
Product description		
Type	RSMV 3-RKWT 4-3-224/1 M	
Order No.	43692	
Description	Cordset, double ended, for sensors and actuators, M8 male connector with self-locking threaded joint, straight, 3-poles, M12 female connector with self-locking threaded joint, angled, 3-poles, PUR jacket, halogen free, black, 1 meters.	
Note	The application of these products in harsh environments should always be checked before use.	
Number of contacts	3	
Color of housing	black translucent	
Color of Housing, side 2	black translucent	
Product characteristics	Vibration resistance, Drag chains, Oil resistance	
Classification		
Belden brand	Lumberg-Automation	
Mechanical data		
Type of plug-in contact	Male connector	
Type of plug-in contact, side 2	Female connector	
Design of housing	straight	
Design of housing, side 2	angled	
Thread	M8	
Thread, side 2	M12	
Design of electrical connection	connector M8	
Design of electrical connection, side 2	connector M12	
Coding of the M12 round plug connector	A	
LED display present	✘	
Environmental conditions		
Environmental temperature	-25 °C ... 80 °C	
Degree of protection (IP), mounted	IP67	
Pollution degree	3	
Materials		
Housing material / Molded body	TPU	
Housing material / Molded body, side 2	TPU	
Contact bearer material	PA/TPU	
Contact bearer material, side 2	TPU	
Contact material	CuZn	
Contact material - Surface refinement	pre-nickeled and 0.3 microns gold-plated	
Contact material, side 2	CuZn	
Contact material - Surface refinement, side 2	pre-nickeled and 0.3 microns gold-plated	
Knurled screw / nut material	CuZn, nickel-plated	
Sealing material	FKM (Female)	
Electrical data		
Rated current In	4 A at 40°C	

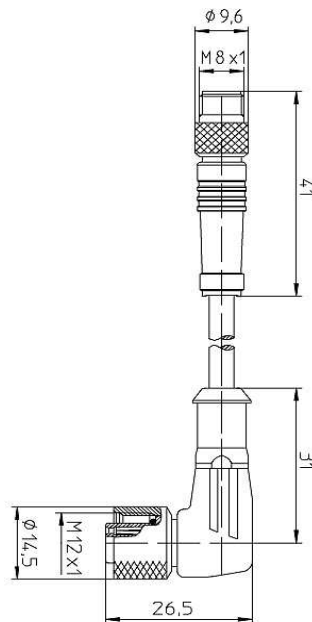
The information published has been compiled as carefully as possible. It is subject to alteration without notice in technical as well as in price related/commercial respect.



Nominal voltage	60 V
Rated voltage	63 V
Insulation resistance	> 1 GΩ
Approvals	
Approvals	UL
RoHS 2002/95/EG compliant	yes
Cable	
Cable length	1 m
Cable number	224
Cable description	Cable for sensors and actuators
Color of jacket	black
Material of outer jacket	PUR
Without halogens as in EN 50267-2-3	✓
shielded	✗
welding spark proof	✗
Outer diameter of the cable	4.3 mm
Number of conductors	3
Cable design	3 x 0.34 mm ²
Conductor design	43 x 0.10 mm
Flame resistant according to standard	yes

Picture

Drawing



The information published has been compiled as carefully as possible. It is subject to alteration without notice in technical as well as in price related/commercial respect.