




Product information
ASB 2-VAD 1A-1-3-226 -
ASB 2-VAD 1A-1-3-226/1,5 M
43787

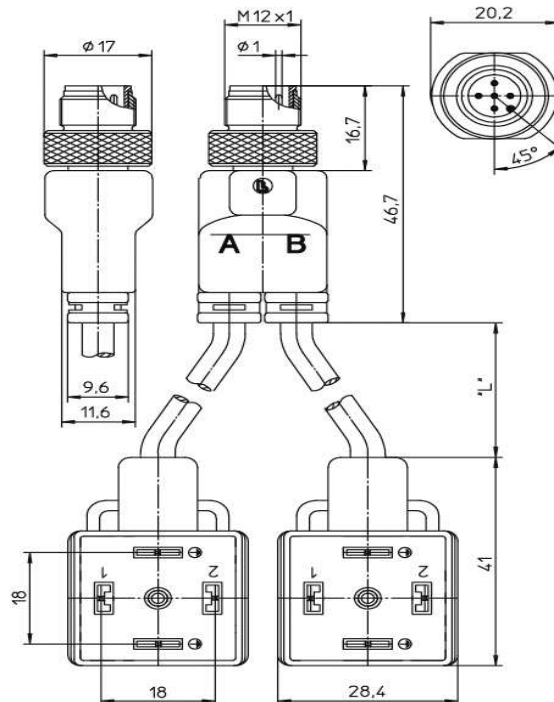
Name	ASB 2-VAD 1A-1-3-226
	
	Actuator cordset, double-ended, M12 Duo male connector with self-locking threaded joint and two valve connectors according to DIN EN 175301-803, form A, cable exit 0° and 180°, 5 poles, PUR jacket, halogen free, black, 1.5 meters.
Delivery informations	
Availability	available
Product description	
Type	ASB 2-VAD 1A-1-3-226/1,5 M
Order No.	43787
Description	Actuator cordset, double-ended, M12 Duo male connector with self-locking threaded joint and two valve connectors according to DIN EN 175301-803, form A, cable exit 0° and 180°, 5 poles, PUR jacket, halogen free, black, 1.5 meters.
Note	The application of these products in harsh environments should always be checked before use.
Number of contacts	5
Color of housing	orange
Color of Housing, side 2	black translucent
Product characteristics	Oil resistance, Drag chains
Classification	
Belden brand	Lumberg-Automation
Mechanical data	
Type of plug-in contact	Male connector
Type of plug-in contact, side 2	Male connector
Design of housing	straight
Design of housing, side 2	valve A
Thread	M12
Thread, side 2	other
Design of electrical connection	screw connection
Design of electrical connection, side 2	valve plug
Coding of the M12 round plug connector	A
LED display present	✘
Environmental conditions	
Environmental temperature	-25 °C ... 80 °C
Degree of protection (IP), mounted	IP67
Pollution degree	3
Materials	
Housing material / Molded body	TPU
Housing material / Molded body, side 2	TPU
Contact bearer material	TPU
Contact bearer material, side 2	PBT
Contact material	CuZn
Contact material - Surface refinement	pre-nickeled and 0.3 microns gold-plated
Contact material, side 2	CuZn
Contact material - Surface refinement, side 2	nickel-plated and tin-plated
Knurled screw / nut material	CuZn, nickel-plated
Electrical data	
Rated current In	4 A per cable / 4 A max. at 40°C

The information published has been compiled as carefully as possible. It is subject to alteration without notice in technical as well as in price related/commercial respect.



Nominal voltage	24 V
Rated voltage	32 V
Test voltage	1.5 kV eff./60 s
Insulation resistance	> 1 GΩ
Approvals	
Approvals	UL
Cable	
Cable length	1.5 m
Cable number	226
Cable description	Cable for sensors and actuators
Color of jacket	black
Material of outer jacket	PUR
Without halogens as in EN 50267-2-3	✓
shielded	✗
welding spark proof	✗
Outer diameter of the cable	4.6 mm
Number of conductors	3
Cable design	3 x 0.50 mm ²
Conductor design	16 x 0.20 mm
Flame resistant according to standard	yes

Picture
Drawing



The information published has been compiled as carefully as possible. It is subject to alteration without notice in technical as well as in price related/commercial respect.