




**Product information**  
**RKMW - RKMW 4-225/10 M**  
**46228**

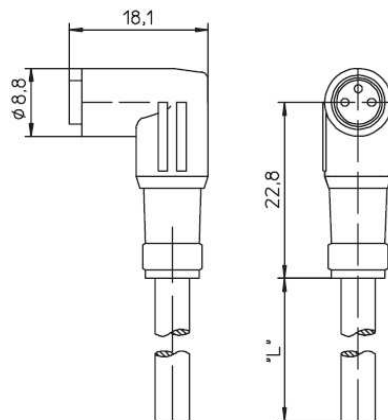
Name	
	
	Cordsets, single-ended, for actuator/sensors and distribution boxes, M8 female right angle connector, with snap-in joint and molded cable, 4 poles, PUR jacket, halogen free, black, 10 meters.
Delivery informations	
Availability	available
Product description	
Type	RKMW 4-225/10 M
Order No.	46228
Description	Cordsets, single-ended, for actuator/sensors and distribution boxes, M8 female right angle connector, with snap-in joint and molded cable, 4 poles, PUR jacket, halogen free, black, 10 meters.
Note	The application of these products in harsh environments should always be checked before use.
Number of contacts	4
Color of housing	black translucent
Product characteristics	Drag chains, Oil resistance
Classification	
Belden brand	Lumberg-Automation
Mechanical data	
Type of plug-in contact	Female connector
Design of housing	angled
Thread	M8
Design of electrical connection	connector M8
LED display present	✘
Environmental conditions	
Environmental temperature	-40 °C ... 90 °C
Degree of protection (IP), mounted	IP65
Pollution degree	3
Materials	
Housing material / Molded body	TPU
Contact bearer material	PA/TPU
Contact material	CuZn
Contact material - Surface refinement	pre-nickeled and 0.8 microns gold-plated
Knurled screw / nut material	CuZn, nickel-plated
Electrical data	
Contact resistance	≤ 5 mΩ
Rated current In	4 A at 40°C
Nominal voltage	30 V
Rated voltage	36 V
Test voltage	0.8 kV eff./60 s
Insulation resistance	> 1 GΩ
Approvals	
Approvals	UL
Cable	
Cable length	10 m
Cable number	225

The information published has been compiled as carefully as possible. It is subject to alteration without notice in technical as well as in price related/commercial respect.



<b>Cable description</b>	Cable for sensors and actuators
<b>Color of jacket</b>	black
<b>Material of outer jacket</b>	PUR
<b>Without halogens as in EN 50267-2-3</b>	✓
<b>shielded</b>	✗
<b>welding spark proof</b>	✗
<b>Outer diameter of the cable</b>	4.7 mm
<b>Number of conductors</b>	4
<b>Cable design</b>	4 x 0.34 mm <sup>2</sup>
<b>Conductor design</b>	43 x 0.10 mm
<b>Flame resistant according to standard</b>	yes

**Picture**  
**Drawing**



**4-polig**  
**4 poles**



- 1 = braun / brown
- 2 = weiß / white
- 3 = blau / blue
- 4 = schwarz / black