




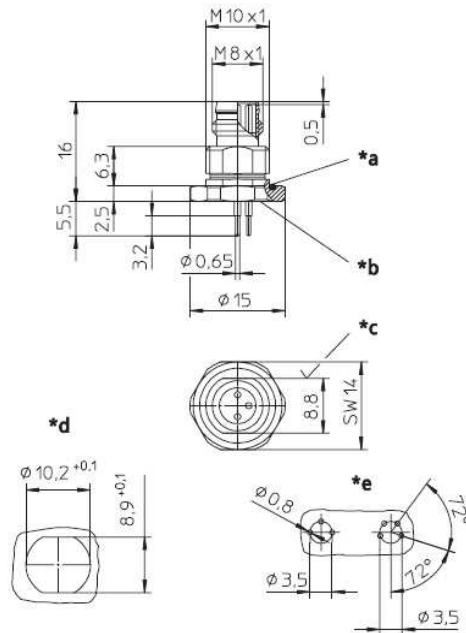
Product information
RSMHL 3/S 5.5 - RSMHL 3/S 5,5
46316

Name	
Name	RSMHL 3/S 5.5
	
	Receptacle connector, M8 male connector for rear mounting, 3 poles, printed contacts, chassis side thread M10 x 1 (panel nut included)
Delivery informations	
Availability	available
Product description	
Type	RSMHL 3/S 5,5
Order No.	46316
Description	Receptacle connector, M8 male connector for rear mounting, 3 poles, printed contacts, chassis side thread M10 x 1 (panel nut included)
Note	The application of these products in harsh environments should always be checked before use.
Number of contacts	3
Color of housing	chromium
Product characteristics	Oil resistance
Classification	
Belden brand	Lumberg-Automation
Mechanical data	
Type of plug-in contact	Male connector
Design of housing	straight
Thread	M8
Design of electrical connection	printed circuit board mount
LED display present	✘
Environmental conditions	
Environmental temperature	-25 °C ... 80 °C
Degree of protection (IP), mounted	IP67
Pollution degree	3
Materials	
Housing material / Molded body	CuZn, nickel-plated
Contact bearer material	PA
Contact material	CuZn
Contact material - Surface refinement	pre-nickeled and 0.8 microns gold-plated
Sealing material	FKM
Electrical data	
Contact resistance	≤ 5 mΩ
Rated current I _n	4 A at 40°C
Nominal voltage	60 V encapsulated
Test voltage	1.5 kV eff./60 s
Insulation resistance	> 1 GΩ

The information published has been compiled as carefully as possible. It is subject to alteration without notice in technical as well as in price related/commercial respect.



Picture
Drawing



- *a O-Ring
O-ring
- *b Leiteranschlussbereich vergossen
solder contacts potted with epoxy
- *c Verdrehenschutz
anti-rotation protection
- *d Einbauöffnung für Verdrehenschutz
cut out for anti-rotation
- *e Lochbild in der Leiterplatte
hole pattern in printed circuit board

3-polig
3 poles

