


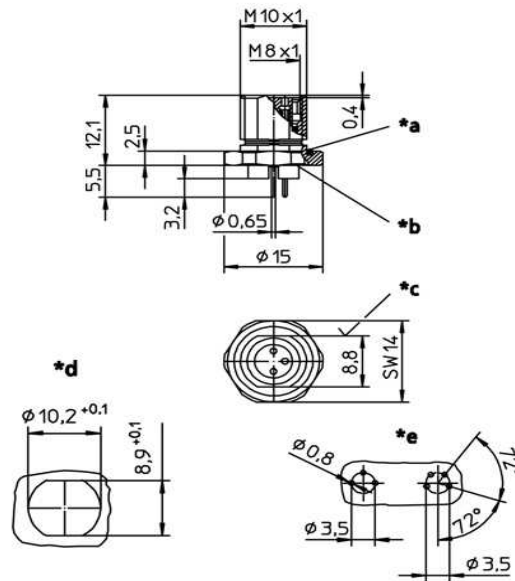
Product information
RKMHL 4/S 5.5 - RKMHL 4/S 5,5
48978

| | |
|---------------------------------------|--|
| Name | |
| Name | RKMHL 4/S 5.5 |
| |  |
| | Receptacle connector, M8 female connector for rear mounting, 4 poles, printed contacts, chassis side thread M10 x 1 (panel nut included) |
| Delivery informations | |
| Availability | available |
| Product description | |
| Type | RKMHL 4/S 5,5 |
| Order No. | 48978 |
| Description | Receptacle connector, M8 female connector for rear mounting, 4 poles, printed contacts, chassis side thread M10 x 1 (panel nut included) |
| Note | The application of these products in harsh environments should always be checked before use. |
| Number of contacts | 4 |
| Color of housing | chromium |
| Product characteristics | Oil resistance |
| Classification | |
| Belden brand | Lumberg-Automation |
| Mechanical data | |
| Type of plug-in contact | Female connector |
| Design of housing | straight |
| Thread | M8 |
| Design of electrical connection | printed circuit board mount |
| LED display present | ✘ |
| Environmental conditions | |
| Environmental temperature | -25 °C ... 80 °C |
| Degree of protection (IP), mounted | IP67 |
| Pollution degree | 3 |
| Materials | |
| Housing material / Molded body | CuZn, nickel-plated |
| Contact bearer material | TPU, self-extinguishing |
| Contact material | CuZn |
| Contact material - Surface refinement | pre-nickeled and 0.8 microns gold-plated |
| Sealing material | FKM |
| Electrical data | |
| Contact resistance | ≤ 5 mΩ |
| Rated current I _n | 4 A at 40°C |
| Nominal voltage | 30 V encapsulated |
| Test voltage | 1.5 kV eff./60 s |
| Insulation resistance | > 1 GΩ |

The information published has been compiled as carefully as possible. It is subject to alteration without notice in technical as well as in price related/commercial respect.



Picture
Drawing



- *a O-Ring
O-ring
- *b Leiteranschlussbereich vergossen
solder contacts potted with epoxy
- *c Verdrehschutz
anti-rotation protection
- *d Einbauöffnung für Verdrehschutz
cut out for anti-rotation
- *e Lochbild in der Leiterplatte
hole pattern in printed circuit board

4-polig
4 poles

