


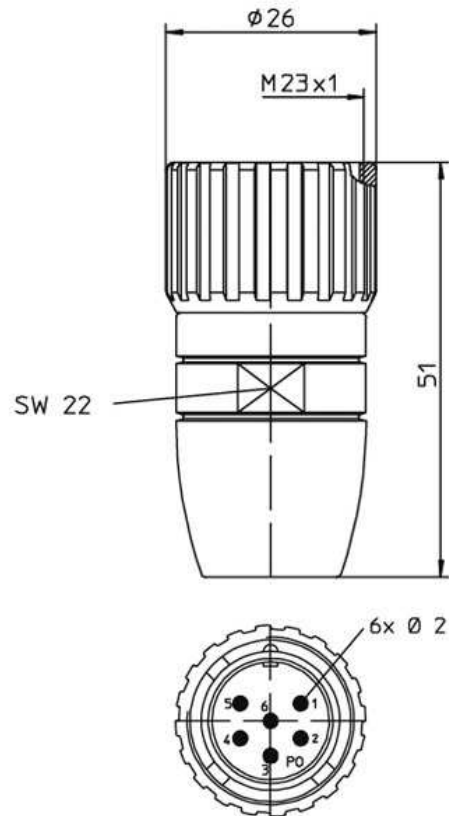


Product information
0906 UMC 202
53646

Name	
0906 UMC 202	
	
Field attachable connector, M23 male connector with threaded joint, assembling with screw terminals, screw joint for cable Ø 10.5 mm, especially suitable for power supply Profibus and Interbus, 6 poles	
Delivery informations	
Availability	available
Product description	
Type	0906 UMC 202
Order No.	53646
Description	Field attachable connector, M23 male connector with threaded joint, assembling with screw terminals, screw joint for cable Ø 10.5 mm, especially suitable for power supply Profibus and Interbus, 6 poles
Number of contacts	6
Color of housing	chromium
Product characteristics	Vibration resistance, Oil resistance, , ,
Mechanical data	
Type of plug-in contact	Male connector
Design of housing	straight
Thread	M23
Design of electrical connection	connector M23
Environmental conditions	
Environmental temperature	-40 °C ... 125 °C
Degree of protection (IP), mounted	IP67
Pollution degree	3
Materials	
Housing material / Molded body	CuZn, nickel-plated
Contact bearer material	PBT
Contact material	CuZn
Contact material - Surface refinement	pre-nickeled and gold-plated
Knurled screw / nut material	CuZn, nickel-plated
Electrical data	
Rated current I_n	20 A
Nominal voltage	300 V
Test voltage	1,5 kV eff./60 s
Insulation resistance	> 10 GΩ
Approvals	
Approvals	RoHS 2002/95/EG



Picture
Drawing



The information published has been compiled as carefully as possible. It is subject to alteration without notice in technical as well as in price related/commercial respect.