




**Product information**

**ASBV 4 5-256/... M - ASBV 4 5-256/5 M  
60605**

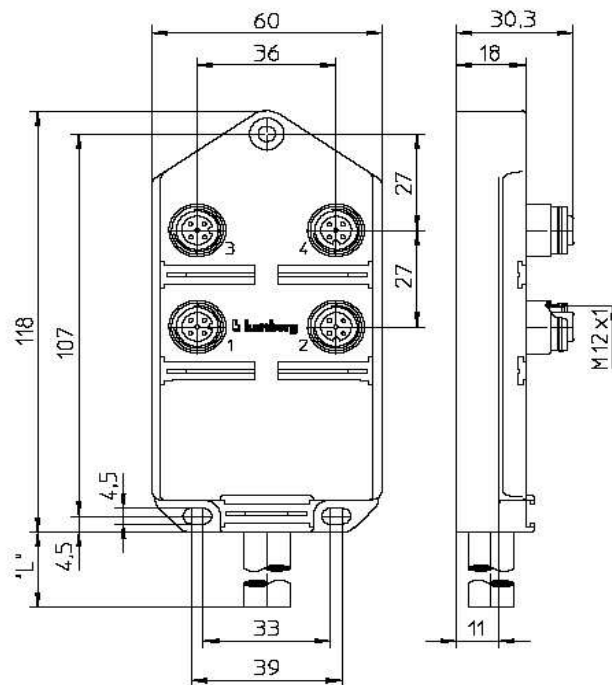
Name	
Name	ASBV 4 5-256/... M
	
	Actuator/sensor distribution box, 4-port version, combined FIXCON-/M12 socket, 5-pole, 2 signals per socket, earth connection, fixed connection cable, PUR jacket, halogen-free, black, 5 meter.
Delivery informations	
Availability	available
Product description	
Type	ASBV 4 5-256/5 M
Order No.	60605
Description	Actuator/sensor distribution box, 4-port version, combined FIXCON-/M12 socket, 5-pole, 2 signals per socket, earth connection, fixed connection cable, PUR jacket, halogen-free, black, 5 meter.
Number of contacts	5 (M12)
Version	4 ports
Color of housing	orange
Product characteristics	Vibration resistance, Oil resistance, Drag chains suitable
Classification	
Belden brand	Lumberg-Automation
Mechanical data	
Thread	M12
LED display present	✘
Environmental conditions	
Environmental temperature	-15 °C ... 80 °C
Degree of protection (IP), mounted	IP67
Pollution degree	3
Materials	
Housing material / Molded body	TPU, self-extinguishing
Contact bearer material	PA-GF, self-extinguishing
Contact material	CuZn (M12)
Contact material - Surface refinement	pre-nickel and 0.8 microns gold-plated
Knurled screw / nut material	CuZn, nickel-plated
Sealing material	FKM
Electrical data	
Contact resistance	≤ 5 mΩ
Rated current In	4 A per socket / 12 A max. at 40°C
Nominal voltage	60 V
Rated voltage	63 V
Test voltage	1.0 kV eff./60 s
Insulation resistance	> 1 GΩ
Approvals	
Approvals	cURus
Cable	
Cable length	5 m
Cable number	256
Cable description	Cable for actuator/sensor distribution boxes
Color of jacket	black
Material of outer jacket	PUR

The information published has been compiled as carefully as possible. It is subject to alteration without notice in technical as well as in price related/commercial respect.



Outer diameter of the cable	9.3 mm
Number of conductors	11
Cable design	8 x 0.5 mm <sup>2</sup> + 3 x 1.0 mm <sup>2</sup>
Flame resistant according to standard	IEC 60332-2, CSA FT-2
<b>Scope of delivery and accessories</b>	
Scope of delivery	ZVK: 2 dust covers for unused sockets ZBS: 10 attachable labels

Picture  
Drawing



The information published has been compiled as carefully as possible. It is subject to alteration without notice in technical as well as in price related/commercial respect.