


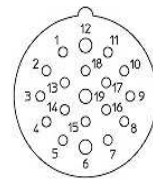
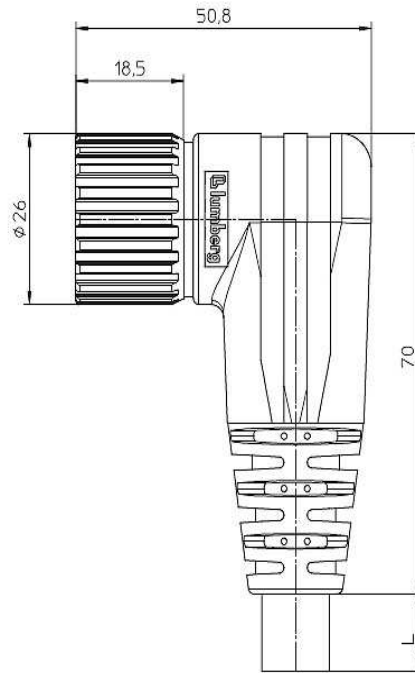


Product information
M23 Angled Female Connector,
RKWUE - RKWUE 19-242/10M
60711

Name	
M23 Angled Female Connector, RKWUE	
	
Anschlussleitung, M23-Buchse mit Schraubverschluss, mit Erdung und angespritztem Kabel – für den Anschluss von steckbaren Aktor-/Sensor-Boxen -, 19-polig, PUR-Kabelmantel, halogenfrei, 10 Meter.	
Delivery informations	
Availability	available
Product description	
Type	RKWUE 19-242/10 M
Order No.	60711
Description	Anschlussleitung, M23-Buchse mit Schraubverschluss, mit Erdung und angespritztem Kabel – für den Anschluss von steckbaren Aktor-/Sensor-Boxen -, 19-polig, PUR-Kabelmantel, halogenfrei, 10 Meter.
Number of contacts	19
Color of housing	black
Product characteristics	Vibration resistance, Oil resistance, Resistance to torsions
Mechanical data	
Thread	M23
Design of electrical connection	connector M23
LED display present	✘
Environmental conditions	
Environmental temperature	-25 °C ... 80 °C
Degree of protection (IP), mounted	IP67
Pollution degree	3
Materials	
Housing material / Molded body	TPU, self-extinguishing
Contact bearer material	PBT
Contact material	CuZn
Contact material - Surface refinement	pre-nickeled and gold-plated
Knurled screw / nut material	CuZn, nickel-plated
Electrical data	
Rated current I _n	8 A
Nominal voltage	120 V
Rated voltage	125 V
Test voltage	1.5 kV eff./60 s
Insulation resistance	> 10 GΩ
Approvals	
RoHS 2002/95/EG compliant	RoHS 2002/95/EG
Cable	
Cable length	10 m



Picture
Drawing



The information published has been compiled as carefully as possible. It is subject to alteration without notice in technical as well as in price related/commercial respect.